

ZAP Series

Single Speed Air Pump
Operates: 40-140 psi (3-10 bar)
shop air supply relief valve
Setting: Up to 10,000 psi (700 bar)



Model: ZAP-101

ZAP-101

1. This model beats the leading competitors in oil flow delivery by as much as 2 to 1, doing more work in less time.
2. Two stage release mechanism for fast ram return while reducing hydraulic shock.
3. Operates easily by hand or foot.
4. Shipped with shipping screw for leak protection, switch to air vent before use to increase performance (Fig.16).
5. Standard size comes with heavy-duty anodized aluminum reservoir. Aluminum reservoir with see through window (Fig.17), or plastic reservoir (Fig.18) will be available upon request. These reservoirs are interchangeable.

Turn ordinary shop air pressure into hydraulic power.

Features:

- When connected to your shop air lines, these versatile pumps can safely deliver up to 10,000 psi (700 bar) of hydraulic pressure to cylinders, small presses, and hydraulic tools for lifting, crimping, pipe cutting, pulling, and many other applications.
1. All models feature an internal relief valve to protect system components.
 2. Portable to any job site equipped with compressed air. Takes the place of manual pumps, which reduces operator fatigue.
 3. A reliable all-metal air motor make for easy maintenance.
 4. An internal relief valve helps protect system components.
 5. While connecting this pump with multiple cylinders, larger reservoir is more efficient for the applications.
 6. With appropriated valves & accessories (Fig.15), these pumps can easily connect and work with 2 to 4 cylinders.

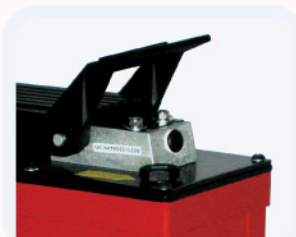


Fig. 16



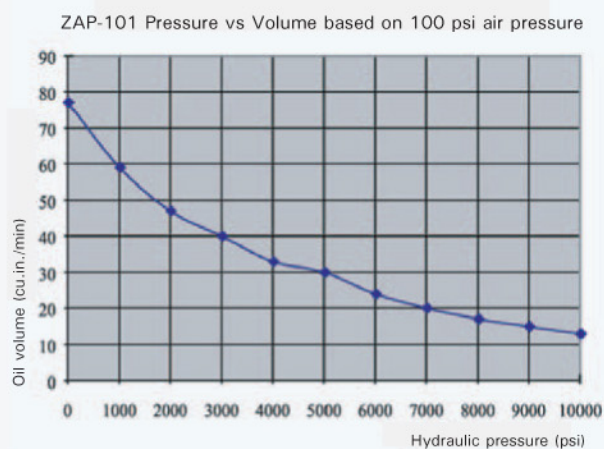
Fig. 15



Fig. 17



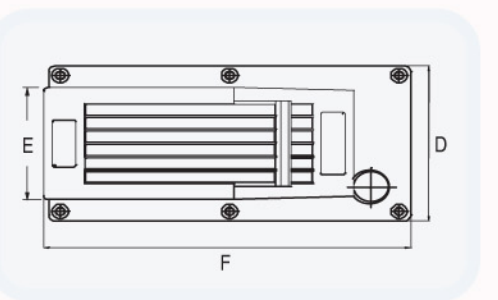
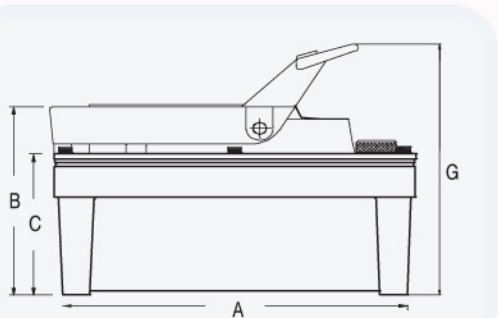
Fig. 18



ZAP-102 & ZAP-103



The ZAP-102 and ZAP-103 come with all steel metal reservoir, which are not only stronger, but also increase the usable oil capacity from 183 cu.in. to 305 cu.in.



In order to provide lightweight and oil consumption mobility, our plastic reservoir comes in three interchangeable sizes. Each comes in one kit which includes the reservoir along with all necessary components to convert these pumps to your desired application.

- Part # 922-101P reservoir (98 cu.in.)
- Part # 922-103P reservoir (305 cu.in.)
- Part # 922-104P reservoir (454 cu.in.)



Reservoir Replacement Kits Include:
Top mounting plate, reservoir, bolts, and fittings.



ZAP-104

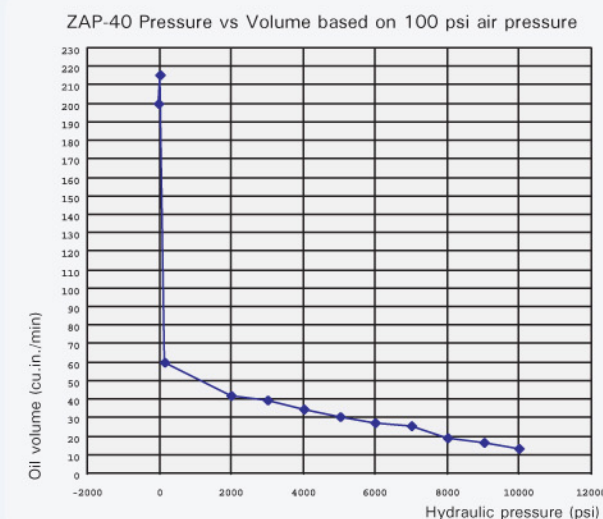
While lightweight and see through reservoir are important to the work place, the ZAP-104 is the right choice for the work place. The plastic reservoir has a 454 cu. in oil capacity.



Model:
ZAP-40 & ZAP-62

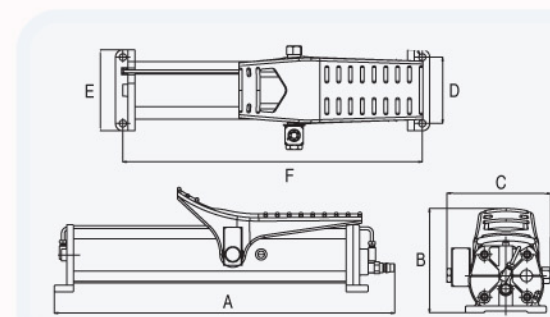
The ZAP-40 is used for tools and smaller cylinders, while the ZAP-62 is used for cylinders as large as 55-ton capacity. These are also the models that we recommend to be used with ZHC Toe Jack with air port.

For optional combinations featuring these pumps and toe jacks, please refer to page 23.



ZAP-40 & ZAP-62

1. Exclusive "air-thrust" design rapidly takes up slack, putting the cylinder rod or tool in work position within seconds.
2. Convenient 360 degree swivel hose connector for better hose control and increase the flexibility for work in any position.
3. Heavy duty anodized aluminum housing is extremely durable.
4. Compact, light-weight design for easy handling and storage.



Model Number	Oil Capacity (in ³)	Pressure Rating (psi)	Output Flow Rate (in ³ /min.)		Air Press. Range (psi)	Dimensions (in)							Oil Port (in)	Ship Weight (lbs)
			No Load	Load		A	B	C	D	E	F	G		
ZAP-40	37	10000	215	12	40 - 140	18.14	5.51	5.7	3.54	4.33	15.98	0.374	3/8" NPT	16
ZAP-62	61	10000	215	13	40 - 140	22.08	5.51	5.7	3.54	4.33	19.92	0.374	3/8" NPT	17
ZAP-101	98	10000	77	13	40 - 140	8.05	6.04	4.53	9.53	9.36	4.36	3.56	3/8" NPT	21
ZAP-101V	98	10000	77	13	40 - 140	8.05	6.04	4.53	9.53	9.36	4.36	3.56	3/8" NPT	21
ZAP-102	183	10000	77	13	40 - 140	8.30	6.29	4.78	12.00	12	5.63	3.87	3/8" NPT	27
ZAP-103	305	10000	77	13	40 - 140	8.30	6.29	4.78	12.00	12.00	8.00	3.87	3/8" NPT	40
ZAP-104	454	10000	77	13	40 - 140	10.63	8.63	7.11	10.82	11.89	9.21	3.59	3/8" NPT	63