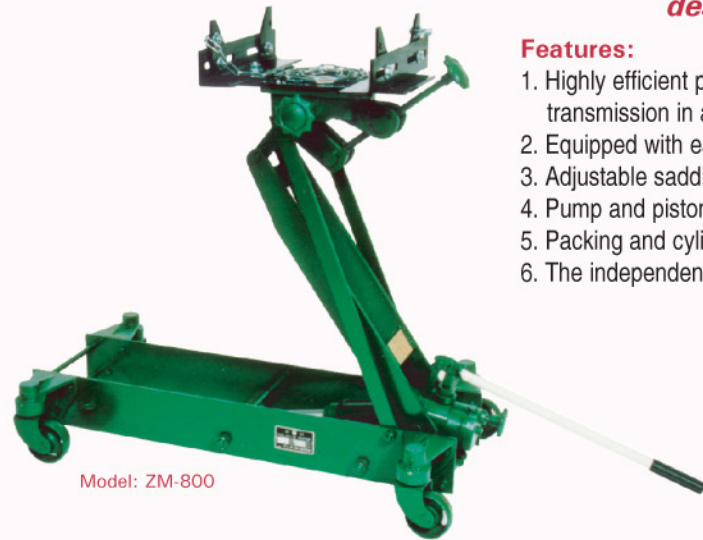


ZM & ZML Series

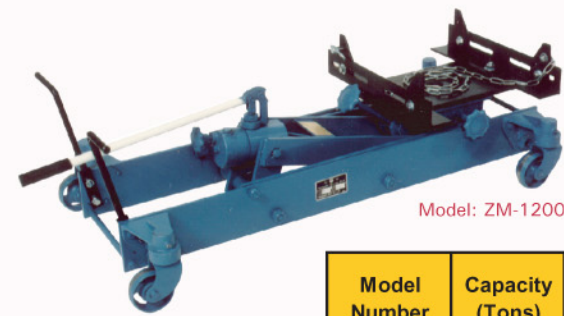
Zinko's line of transmission jacks are specially designed for medium to large-sized vehicles.

Features:

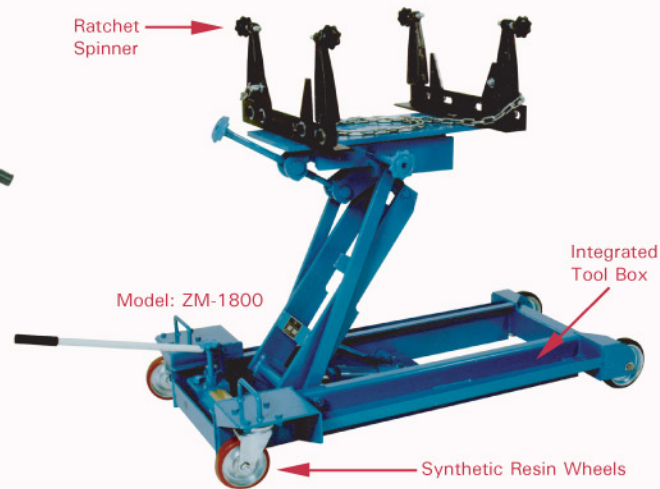
1. Highly efficient pump and plunger components give fast and smooth lifting of transmission in a simple operation, minimizing labor.
2. Equipped with easy-to-move handle.
3. Adjustable saddle moves forward, backward, side-to-side, and has tilt capabilities.
4. Pump and piston are finished to prevent oil leakage.
5. Packing and cylinder are extensively tested and scientifically researched.
6. The independent valve enables easy interchange after extensive use.



Model: ZM-800

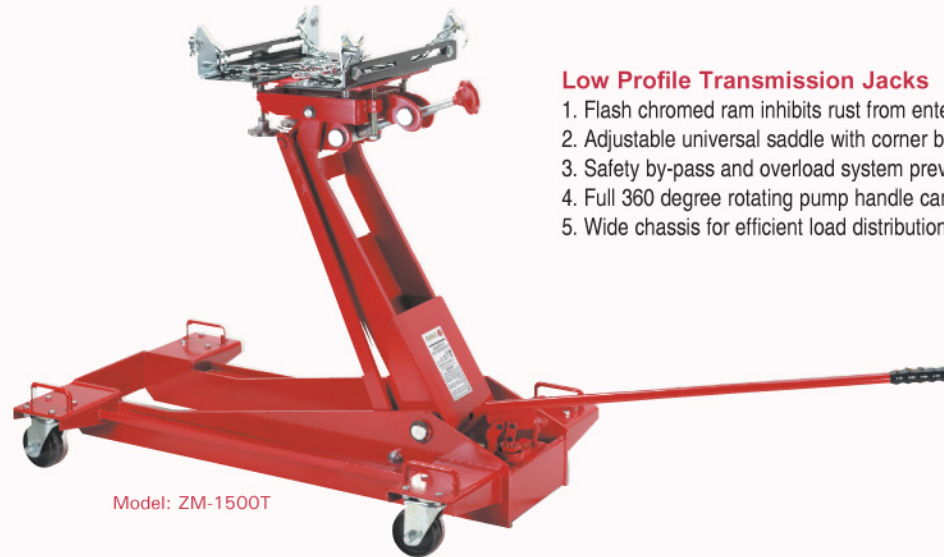


Model: ZM-1200



Model: ZM-1800

Model Number	Capacity (Tons)	Min. Ht (in)	Max. Ht. (in)	Power Lift (in)	Chassis Length (in)	Chassis Width (in)	Saddle Cradle (deg)	Sidewise Slide (in)	Ship Wt. (lbs)
ZM-800	0.8	12 5/8	35	22 1/2	35 1/2	19 5/8	30	1 1/2	154
ZM-1200	1.2	13 3/4	36 1/4	22 3/8	43 1/3	22	30	1 1/2	198
ZM-1500	1.5	14 5/8	36 1/4	21 5/8	48	29 1/8	30	1 1/2	242
ZM-1800	1.8	20 1/2	41 3/4	21 1/4	51 1/4	28 3/8	30	1 1/2	297



Model: ZM-1500T

Low Profile Transmission Jacks

1. Flash chromed ram inhibits rust from entering the hydraulic system.
2. Adjustable universal saddle with corner brackets and safety chain included.
3. Safety by-pass and overload system prevent damage from inadvertent overload.
4. Full 360 degree rotating pump handle can operate in any position.
5. Wide chassis for efficient load distribution and stability.

Model Number	Capacity (Tons)	Min. Height (in)	Max. Height (in)	Overall Length Ext. (in)	Overall Width (in)	Ship Wt. (lbs)
ZM-500T	1/2	8 1/2	28 1/2	19 1/2	34	158
ZM-1000T	1	8	31	18 1/2	34	179
ZM-1500T	1 1/2	6 1/2	35	26	43	363

Telescopic Transmission Jacks

1. Two stage cylinder that provides a lower pick-up point with high lifting capability.
2. Universal saddle and corner brackets that are fully adjustable with a safety constraint belt to secure your load. (Fig.28)
3. Foot operated two-stage hydraulics allow for precise load control as well as rapid lifting abilities. (Fig.29)
4. Safety bypass system that prevents damage to the cylinder.
5. Equipped with two release pedals, one for fast lowering without a load and the other provides slow lowering with a load.
6. Ram, pump, and piston are specially finished to prevent oil leakage.
7. Four-wheel base with locking swivel urethane casters to ensure stability and effortless positioning.

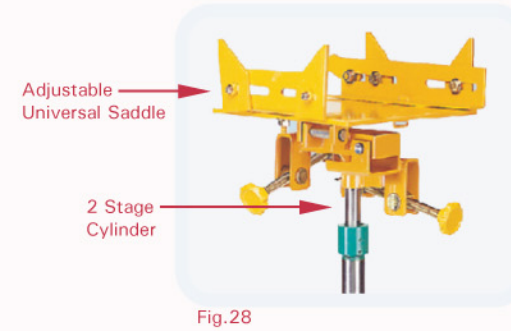


Fig.28

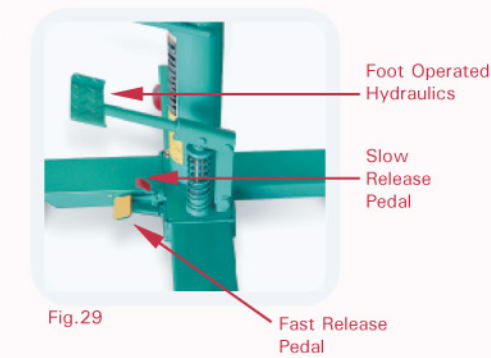


Fig.29



Model: ZML-500



Model: ZML-501



ZML & ZAML (tilting saddle)



strap



Model: ZAML-502

Air Hydraulic Telescopic Transmission Jacks

1. Dual performance - can be used manually or air actuated operation.
2. Safety by-pass and overload system prevents jack from being used beyond its rated capacity.
3. Foot operated release valve frees operator's hands to guide the load.
4. Special 2 stage design enables work from lower pick up point with higher reach capacity.
5. Fully adjustable universal saddle with adjustable corner brackets and safety chain.
6. Equipped with handle, easy to move in all directions.
7. Swivel caster wheels are for easy moving and positioning.
8. Chromed telescopic rams and the strong leg design provides maximum stability.

Model Number	Capacity (Tons)	Min. Ht (in)	Max. Ht. (in)	Power Lift (in)	Chassis Length (in)	Chassis Width (in)	Saddle Cradle (deg)	Side Tilt (in)	Ship Wt. (lbs)
ZML-500	1/2	36 1/4	72 3/4	36 1/2	29 1/2	28 3/8	42/46	12°	154
ZML-800	0.8	36 1/2	71	36 1/2	31 1/2	33 1/2	15	1 1/2	165
ZML-501	1/2	32 5/8	68 7/8	36 1/4	35 1/2 x 35 1/2	...	30	15°	180
ZAML-502	1/2	33 1/4	71	37 3/4	31 x 37	...	30	15°	180