

Shop Equipment

**Tripod Type Stands**

Designed to support and stabilize components while vehicle is in a raised position.

1. Pin positions provide four different height adjustments.
2. Acme screw allows for 8 inches of exact height adjustment.
3. Quick adjust spin handle provides ease of turning under load.
4. 23 inch tripod base designed to aid stability.
5. All stands are sold in pairs and have a rated capacity.
7. Stands are not designed or intended to support vehicles.  
Use four stands when stabilizing vehicles on an automotive lift.



**Slim Type Stands**

Designed to support vehicle components. Ideal for any task which requires relieving pressure off the component.

1. Lightweight, slim design makes handling easy in tight work spaces.
2. Acme screw allows for precise height adjustment.
3. Quick adjust spin handle provides easy turning under load.
4. Foot pedal folds for convenience.
5. All stands are sold in pairs and have a rated capacity.



Model Number	Capacity (Tons)	Dimensions (in)				Ship Weight (lbs)
		Minimum Height	Maximum Height	Screw Range	Base Area	
ZHS-075	0.75	53 3/8	80	26 5/8	12 (dia)	68/PR
ZHS-075P	0.75	53 3/8	80	26 5/8	12 (dia)	76/PR
ZHP-150	1.5	48 7/8	85 3/8	36 1/2	23 (side)	80/PR

**Screw Type Stands**

1. Minor adjustments can be made without any lift required.
2. Formed steel welded base and frame for extra strength.
3. Easy operation type column adjusts to fit any height position.
4. Extension screw locking device for extra safety and support.
5. Large support saddles and handle for easy adjustments.
6. All stands are sold in pairs and have a rated capacity.



**Ratchet Type Stands**

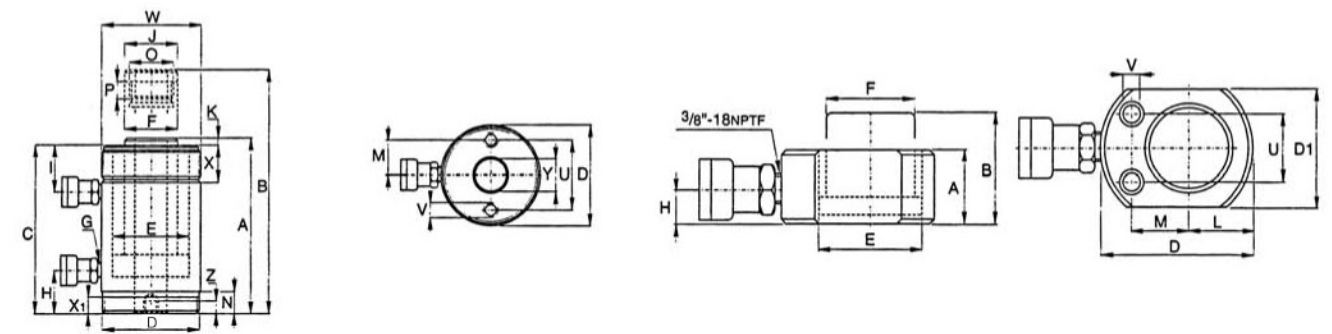
1. Welded steel base for extra strength.
2. Positive lock handle can not be released under load.
3. Saddle column provides self-locking ratchet height adjustment.
4. All stands are sold in pairs and have a rated capacity.



Model Number	Capacity (Tons)	Dimensions (in)				Ship Weight (lbs)
		Minimum Height	Maximum Height	Saddle Diameter	Base Area	
ZJS-031	3	10 5/8	16 1/2	10 x 2 7/8	7 x 7 5/8	15/PR
ZJS-061	6	12 1/4	18 1/2	12 x 2 7/8	8 x 9	25/PR
ZJS-1218	12	18	28	6 5/8 x 3 1/2	20 1/4	22/EA
ZJS-1228	12	28	47	6 5/8 x 3 1/2	27	26/EA

Key to Cylinder Dimensions

With Measurement Key



- A : Collapsed Height
- B : Extended Height
- C : Cylinder Body Length
- D : Outside Cylinder Diameter
- D1 : Cylinder Width
- E : Cylinder Bore Diameter
- F : Plunger Rod Diameter
- G : Oil Inlet Thread
- H : Base to Advance Port
- I : Top to Retract Port
- J : Saddle Diameter
- K : Plunger Protrusion (from plunger)
- L : Plunger Center to Side of Base
- M : Mounting Holes To Plunger Center
- N : Length of Smaller Cylinder Part
- O : Plunger Internal Thread
- P : Plunger Thread Length
- Q : Plunger Outside Thread (pull cylinders only)
- U : Bolt Circle Diameter of Mounting Holes
- V : Thread of Cylinder Mounting Holes
- W : Collar Thread
- X : Collar Thread Length
- Y : Center Hole Diameter (hollow cylinders only)
- Z : Depth of Internal Base Thread

Imperial to Metric																
Inches	1/16	1/8	3/16	1/4	5/16	3/8	7/16	1/2	9/16	5/8	11/16	3/4	13/16	7/8	15/16	1.00
Decimal	0.0625	0.125	0.187	0.250	0.312	0.375	0.437	0.500	0.562	0.625	0.687	0.750	0.812	0.875	0.937	1.00
mm	1.59	3.18	4.76	6.35	7.94	9.53	11.11	12.7	14.29	15.88	17.46	19.05	20.64	22.23	23.81	25.40

All capacities and measurements in the catalog are expressed in uniform values.

The conversion chart provides information for translation into equivalent systems.

Pressure		Other Measurements		Volume	
1psi:	0.069 bar	1 in:	25.4 mm	1 in <sup>3</sup> :	16.387 cm <sup>3</sup>
1 bar:	14.50 psi	1 mm:	0.039 in	1 cm <sup>3</sup> :	0.061 in <sup>3</sup>
Weight		1 in <sup>2</sup> :	6.452 cm <sup>2</sup>	1 liter:	61.02 in <sup>3</sup>
1 pound (lb):	0.4536 kg	1 cm <sup>3</sup> :	0.155 in <sup>2</sup>	1 liter:	0.264 gal
1 kg:	2.205 lbs	1 hp:	0.735 Kw	1 US gal:	3,785 cm <sup>3</sup>
1 metric ton:	2,205 lbs	1 kW:	1.359 hp		3,785 l
1 ton (short):	2,000 lbs	1 Nm:	0.73756 Ft.lbs		231 in <sup>3</sup>
1 ton (short):	907.18 kg	1 Ft.lbs:	1.355818 Nm		

Model Number	Cyl. Cap. (tons)	Stroke (in)	Cyl. Effect. Area (in <sup>2</sup> )	Oil Cap. (in <sup>3</sup> )	Dimensions (in)						Ship Wt. (lbs)	
					Collapsed Height	Extended Height	Outside Diameter	Cyl. Bore Diameter	Plunger Diameter	Base to Adv. Port		Plunger Protrusion
ZR Series												
ZR-302A	30	2.00		13	6.49	8.50	4.45	2.56	2.55	2.27	0.02	14
ZR-304A	30	4.00		26	8.50	13.22	4.45	2.56	2.55	2.27	0.02	18
ZR-306A	30	6.00		41	10.79	16.96	7.02	2.95	2.55	2.27	0.02	21
ZR-502A		2.25		25	6.93	9.17	5.9	3.74	3.15	1.8	0.055	22
ZR-504A	50	4.25		47	8.93	13.18	5.9	3.74	3.15	1.8	0.055	27
ZR-506A		6.25		69	10.93	17.16	5.9	3.74	3.15	1.8	0.055	32
ZRM Series												
ZRM-005	5	0.25	0.99	0.25	1.28	1.53	2.31x1.63	1.13	1	0.63	0.04	3
ZRM-010	10	0.44	2.24	0.98	1.69	2.13	3.25x2.19	1.69	1.5	0.75	0.04	4
ZRM-020	20	0.44	4.43	1.95	2.03	2.47	4.00x3.00	2.38	2	0.75	0.04	7
ZRM-030	30	0.50	6.51	3.25	2.31	2.81	4.63x3.75	2.88	2.5	0.75	0.08	10
ZRM-050	50	0.63	9.63	6.07	2.63	3.25	5.50x4.50	3.5	2.75	0.75	0.08	15
ZRM-075	75	0.63	15.92	10.03	3.13	3.75	6.50x5.50	4.5	3.25	0.75	0.08	25
ZRM-100	100	0.63	19.66	12.39	3.38	4	7.00x6.00	5	3.63	0.75	0.08	32
ZRB Series												
ZRB-101	10	1.50	2.43	3.35	3.47	4.97	2.75	1.69	1.5	0.69	0.20	9
ZRB-201	20	1.75	4.44	7.77	3.88	5.63	3.63	2.38	2	0.69	0.12	11
ZRB-302	30	2.44	6.50	15.85	4.63	7.06	4	2.88	2.62	0.75	0.12	15
ZRB-502	50	2.38	9.63	22.91	4.81	7.19	4.88	3.5	2.75	0.94	0.08	24
ZRB-1002	100	2.25	19.67	44.25	5.56	7.81	6.5	5	3.63	1.25	0.06	50