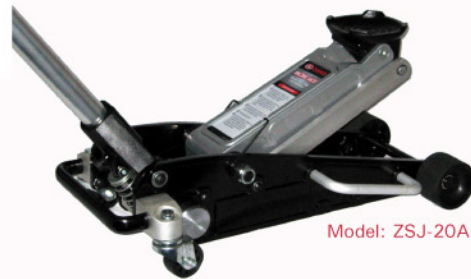


## ZSJ & ZASJ Series

Capacity: 1.5 to 20 tons



Model: ZSJ-20A

### Ultra Lightweight Aluminum Service Jacks

1. Fast performance - rapid lifting with a minimum of 3 pumps to reach maximum height of 17 1/2".
2. Low Profile with high lift - Starting height from as low as 2 1/4" to 3 1/2", these jacks can easily go under any sport car without touching the side frame.
3. Light and compact - Weight less than 42 lb. for mobility and reduce operator fatigue. Fully CNC profile machined from aircraft grade billet aluminum for strength and overall weight reduction.
4. Durable - constructed of high grade die-cast aluminum combined with a patented quality hydraulic system.
5. Universal joint release mechanism combined with notched lift cup that has a removable rubber insert that fits on all types of cars, also prevents damage to the finish of the undercarriage.
6. Handle can be locked on any position. This ensures no damage to the car body.
7. Standard side mounted carrying handle for easy carrying.



ZSJ-20A (rear caster wheel)

Urethane front and rear wheels kits assure smooth movement and avoids squeaking. These will not damage the epoxy paint coating which were found on many shop floors.



ZSJ-20A (saddle)



ZSJ-20A (top view)

Standard comes with notched cast-iron saddle. Optional serrated rubber coated saddle available upon request.



ZSJ-20A (optional saddle)

Serrated rubber coated saddle provides stability and prevents damage to the finish of the undercarriage. The stem on this saddle will fit jacks with lift arms measuring 1" diameter.



ZSJ-13A (2-1/4" pick-up point)

### Super Low Profile Service Jack

Super low profile & light weight - the initial pick up point is only 2 1/4". Long, low chassis with frame height under 3 1/2" this jack can go straight under car without touching the side frame. Form fitted saddle so slim that did not increase the height of saddle, also prevent damage to the finish of the under carriage.



Model: ZSJ-20T

### ZSJ-20T

1. Flanged steel side plates, both top and bottom to increase strength and resist twisting.
2. Low profile which can lift up to 16 1/2" providing a travel range from as low as 3 3/4" to a maximum height of 20 1/4".
3. In-line pump assembly allows direct alignment of pump with the handles.
4. Universal joint type release mechanism makes for easy operation.
5. Built-in pressure relief valve helps prevent overloading.
6. Full swivel rear casters and large lifting cap allows for easy handling.



Model: ZSJ-15A3

### ZSJ-15A3

3 pumps to the top, the original performance service jack. Roller front wheel, and rear wheel casters help support these easily maneuverable units.

### Panta Graph Jacks

1. Rapidly raises a vehicle with minimum effort.
2. Lightweight, compact and very easy to operate.
3. Rugged steel base prevents leaking.
4. Low profile with long stroke for versatility.
5. High-strength rubber cap saddle to receive vehicle panel rail and avoid damage to vehicle body.
6. Special coating on the ram & body provides additional corrosion protection.

Weight: 13 lbs. Capacity: 0.8 ton Min. Ht: 4.5" Max. Ht:15"



Model: ZPJ-800

### Heavy-Duty Service Jacks

1. The lift can be operated either manually or pneumatically.
2. Overall construction of selected steel frame, full swivel rear caster wheels, and large lifting cap provide easy positioning and enable these jacks to handle the largest loads.
3. With a foot pumping device (Fig.20), you can easily lift the jack saddle up to the loading point. Air hydraulic models with air pressure ranges from 90 to 140 psi can also be operated by the push button for a quick lift. (Fig.22)
4. Push bottom control unit can be easily removed from handle which enables the operator to view the lift from the side (for all air hydraulic models).
5. T-Handle permits easier maneuvering. It can be locked in one of three positions so that it is convenient to position the jack under the load. (Fig.21)
6. Large knob provides load release control. (Fig.22)
7. Extra long chassis reaches under low overhangs.



Fig.20



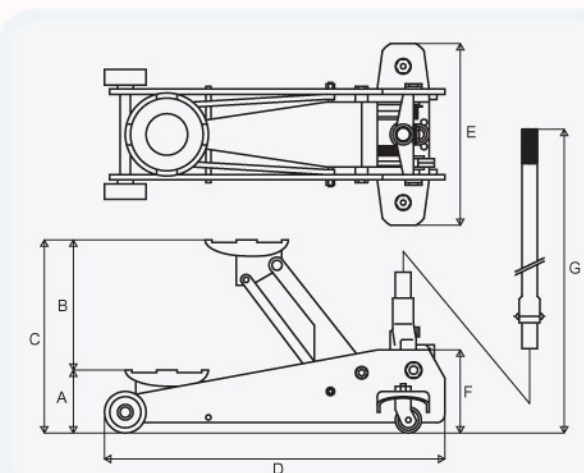
Fig.21



Fig.22



ZSJ-50H



Model: ZSJ-15T

### ZSJ-15T Service Jacks

1. Heavy duty welded steel lift arm with 32" maximum lifting height.
2. Ductile steel saddle for better grip and vehicle frame protection.
3. Extra two-piece long handle with rubber hand grip for easy storage and transportation, also providing a longer reach under the overhang.

Model Number	Capacity (Tons)	Min Ht. (in) A	Hydraulic Lift (in) B	Max Ht. (in) C	Chasis Length (in) D	Chassis Width (in) E	Ht. of Frame (in) F	Shipping Wt. (lbs)
<b>ULTRA LIGHTWEIGHT ALUMINUM JACKS</b>								
ZSJ-13A	1.5	2 1/8	15 1/4	17 3/8	24	11 3/4	6	40
ZSJ-15A6	1.5	3 1/2	14	17 1/2	23 5/8	11 3/4	6 1/8	42
ZSJ-15A3	1.5	3 1/2	14	17 1/2	23 5/8	11 3/4	6 1/8	42
ZSJ-20A	2	3 1/2	14	17 1/2	23 5/8	11 3/4	6 1/8	43
<b>HEAVY-DUTY SERVICE JACKS</b>								
ZSJ-15H-2	1.5	4 3/4	14 1/8	18 7/8	24 4/5	13 3/4	6 1/4	72
ZSJ-15T	1.5	5 1/8	26 7/8	32	37	16 1/8	6 1/2	123
ZSJ-20S-2	2	4 3/4	14 1/8	18 7/8	25 4/5	13 3/4	6 1/4	80
ZSJ-20T	2	3 3/4	16 1/2	20 1/4	27	11 3/4	6 3/4	92
ZSJ-30S	3	3 7/8	17 3/4	21 5/8	38 1/2	15 1/4	5 3/8	163
ZSJ-20L-2	2	4 3/4	14 1/8	18 7/8	36 1/5	13 3/4	6 1/4	99
ZSJ-30H	3	4 7/8	18 7/8	23 7/8	51 3/5	12 3/4	7 1/2	143
ZSJ-50H	5	5 7/8	16 1/4	22	55 1/2	14 3/8	7 7/8	187
ZSJ-100H	10	6 1/4	15 3/4	22	60 7/8	19 1/2	9 7/8	297
ZSJ-200H	20	7 1/2	16 1/2	24	66 7/8	19 1/2	10 1/4	505
<b>HEAVY-DUTY LONG CHASSIS AIR SERVICE JACKS</b>								
ZASJ-15M	1.5	4 1/2	19 7/8	24 3/8	44 1/4	15 13/16	4 3/4	155
ZASJ-20M	2	4 3/4	14 1/8	18 7/8	32 3/8	13 3/4	6 1/4	97
ZASJ-30M	3	4 7/8	18 7/8	23 7/8	53 1/8	14 3/8	7 1/2	165
ZASJ-50M	5	5 7/8	16 1/8	22	55 7/8	15 1/4	7 7/8	200
ZASJ-100M	10	6 1/4	15 3/4	22	60 7/8	19 1/2	9 7/8	310