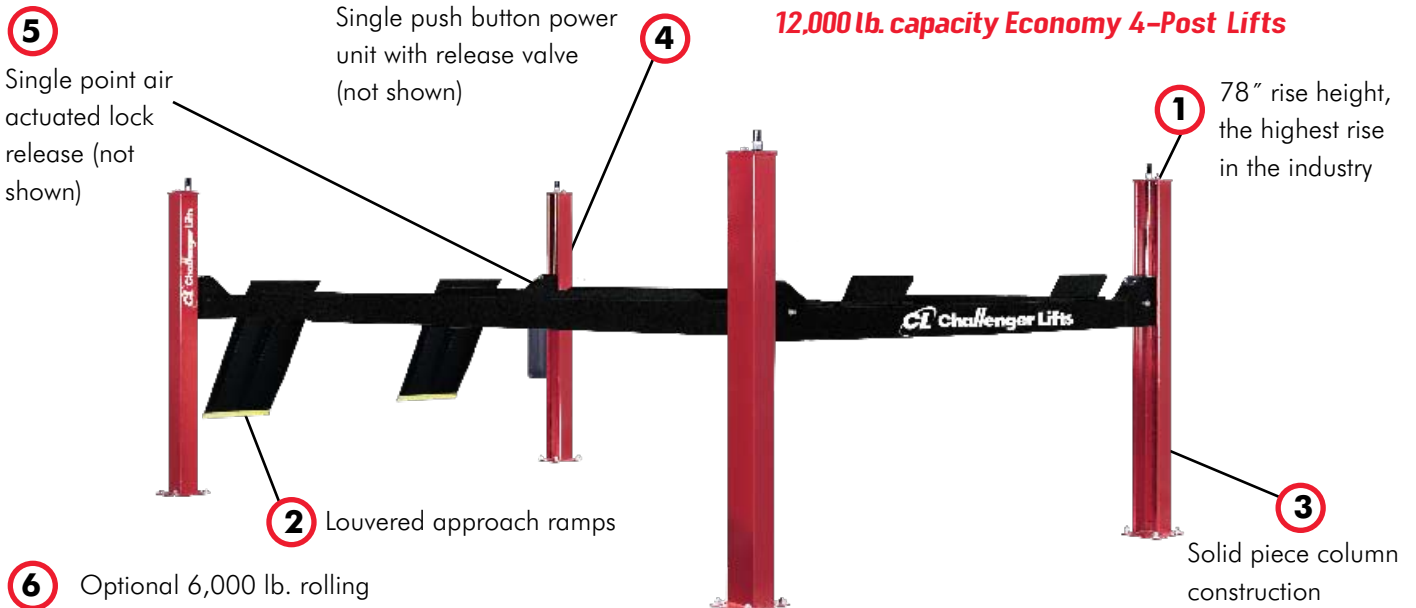


4P12EFX & 4P12XFX

12,000 lb. capacity Economy 4-Post Lifts



6 Optional 6,000 lb. rolling jacks, internal air line kit, bolt-on alignment conversion kit, oil drain pan kit, and air/electric workstation (not shown)



The Automotive Lift Institute (ALI) certifies that the 4P12EFX & 4P12XFX lifts described herein complies with the applicable provisions of the American National Standards ANSI/ALI ALCVT 2006 and are Third Party Validated by the ETL Testing Laboratory.

1 Provides maximum head room for working underneath vehicles

2 Provide tire traction for drive-on

3 Provides rigidity and stability for rigorous servicing needs

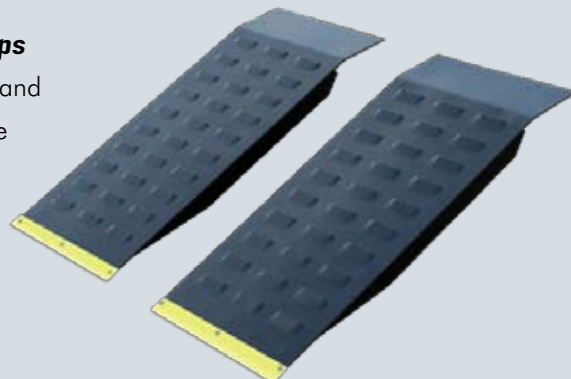
4 Provides convenience and safety when lifting and lowering vehicles

5 Allows technician to disengage all four columns simultaneously

6 Provides complete optimization for your 4-Post servicing needs

Louvered Approach Ramps

Challenger Lifts' 4P12EFX and 4P12XFX 4-Post lifts feature louvered approach ramps for tire traction and sleek look.



Rolling Jacks - RJ6

Optional 6,000 lb. capacity rolling jacks allow brake and wheel access, broadening potential service revenue.

