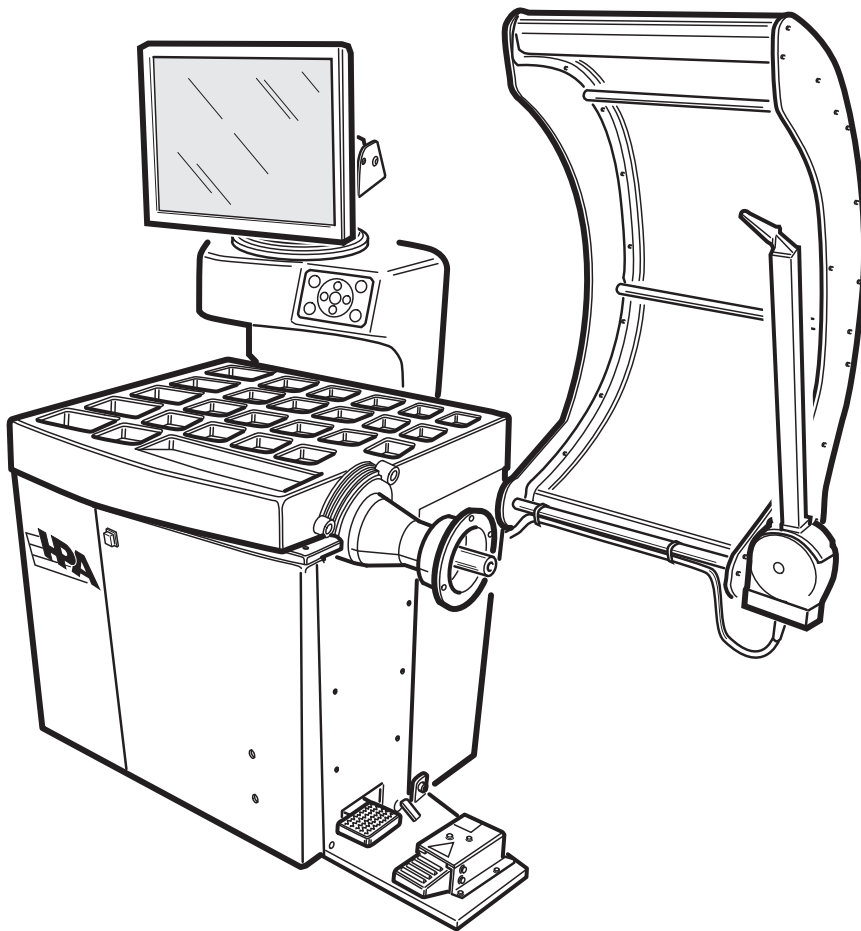


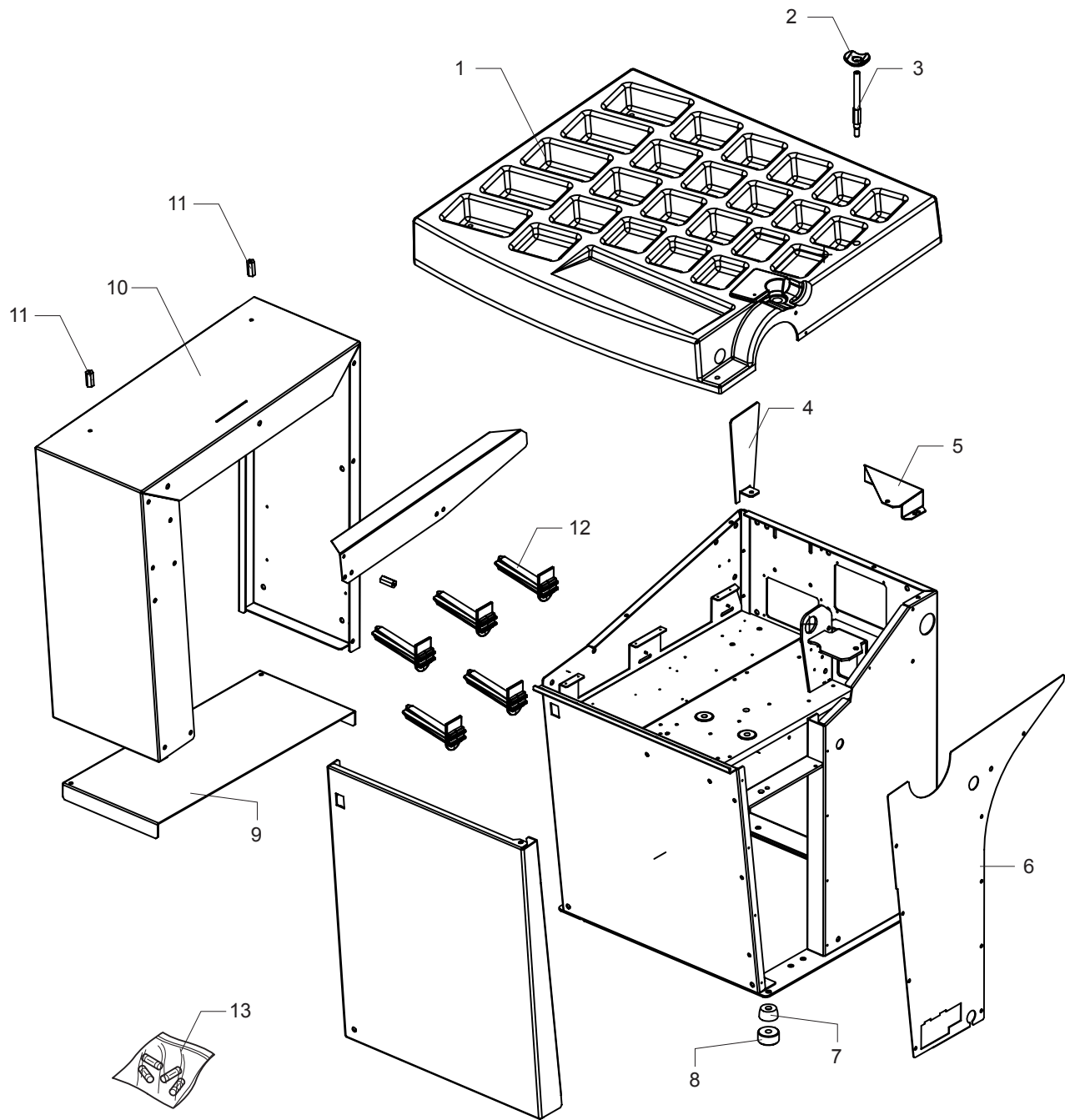
B450

*Pezzi di ricambio
Spare Parts List
Ersatzteilliste
Pieces De Rechange*

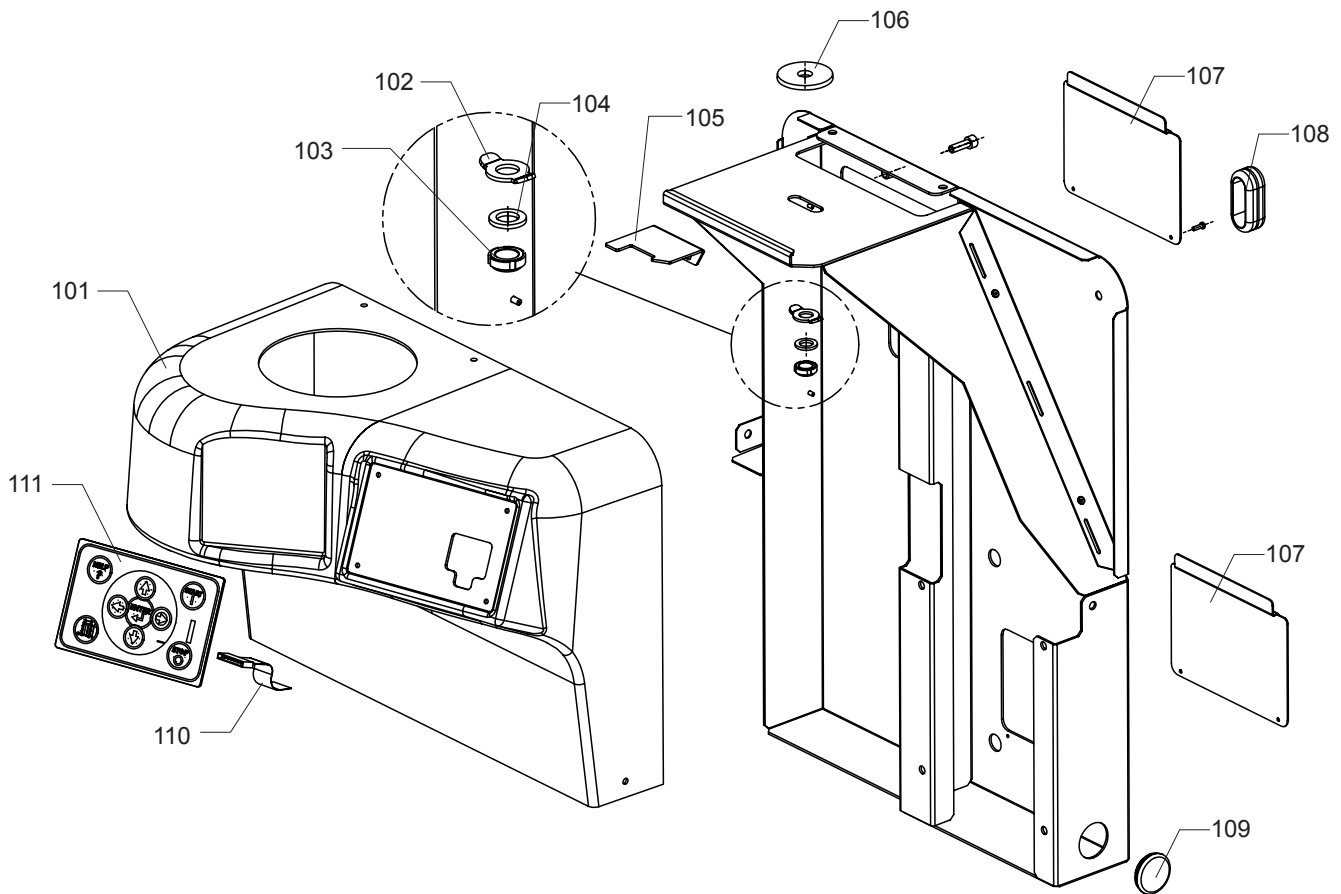


Code
4-105048

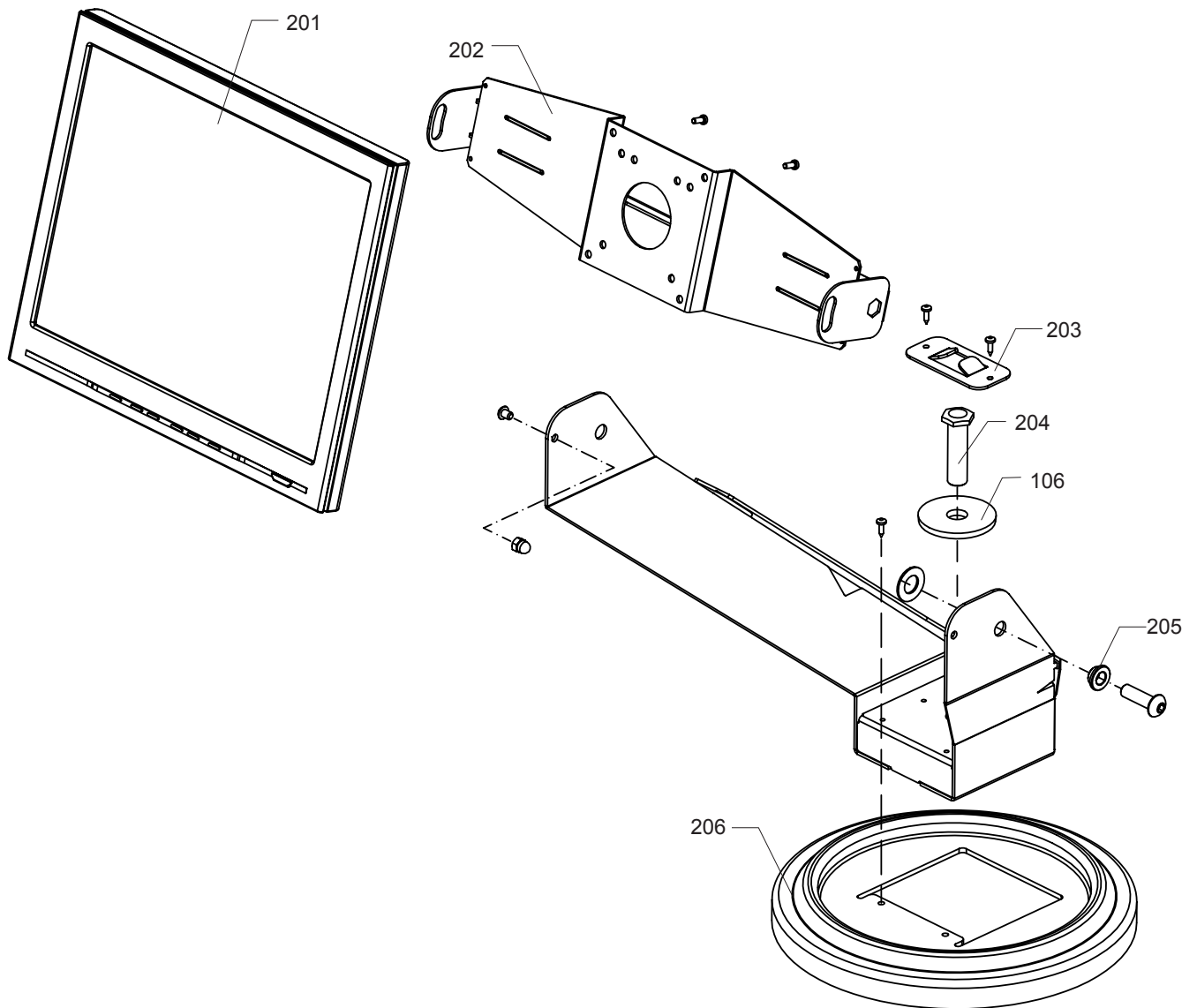
Production from
11 / 2005



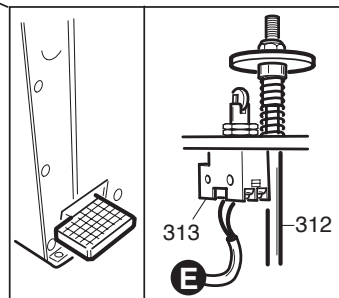
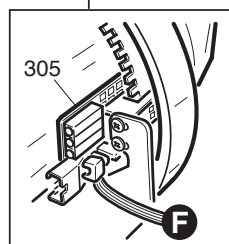
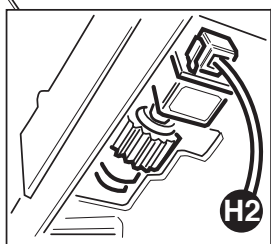
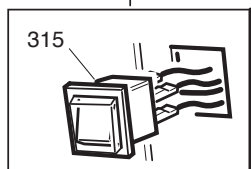
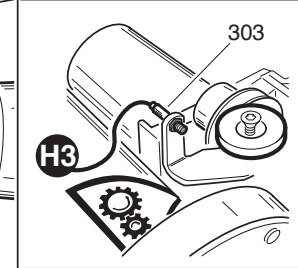
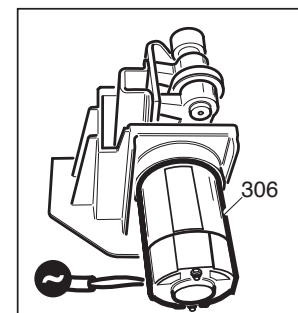
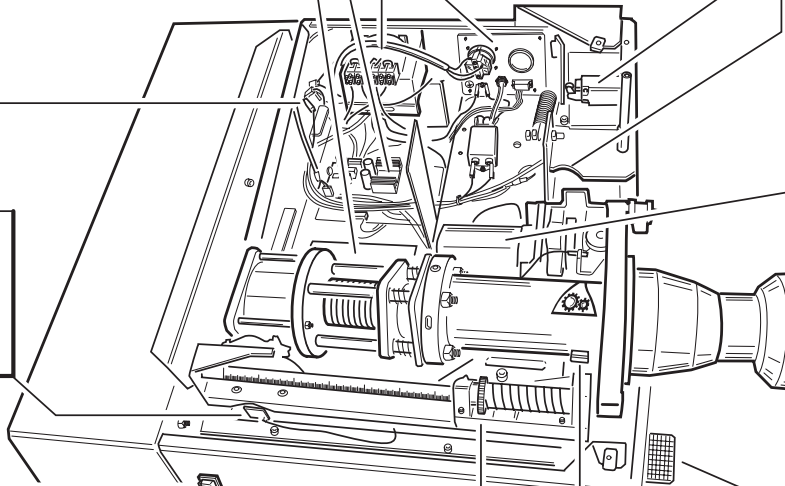
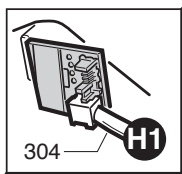
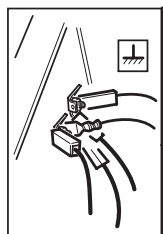
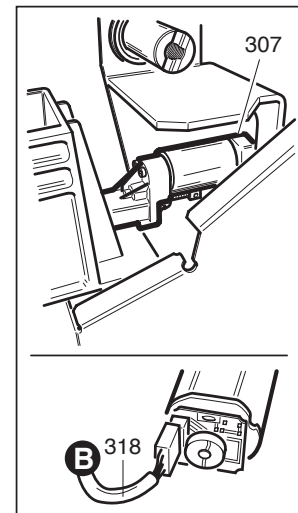
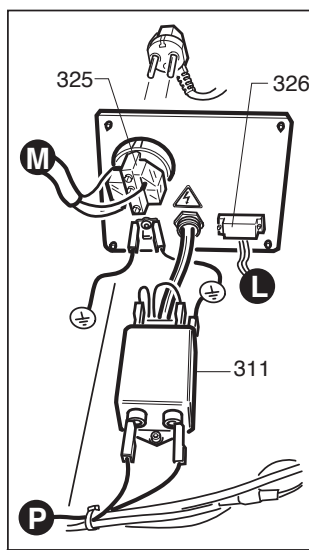
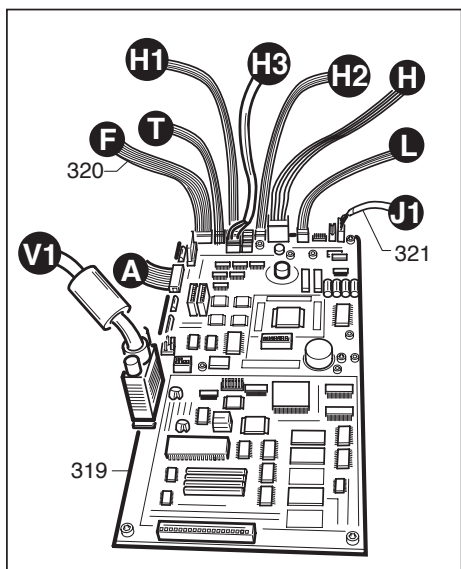
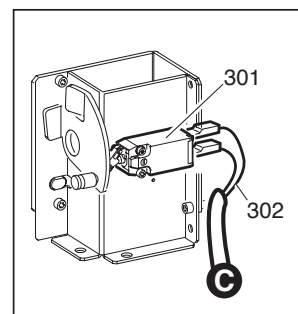
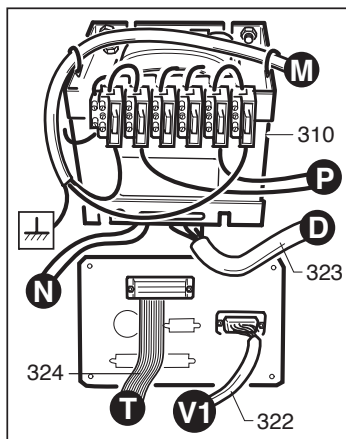
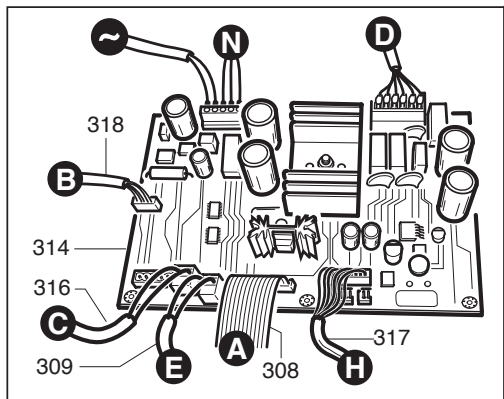
0001	9004-103306	COPERCHIO	LID	DECKEL	COUVERCLE
0002	900336581	INCUDINE	ANVIL	AMBOSS	ENCLUME
0003	9004-102899	SUPPORTO	SUPPORT	LAGER	SUPPORT
0004	900363282	APPOGGIO	RIM SUPPORT	STUETZE	APPUI
0005	9004-101925	ATTACCO	ADAPTER	HALTERUNG	GRIFFE
0006	9004-101926	COFANO	HOOD	HAUBE	COFFRE
0007	900360368	PIEDE	FOOT	FUSS	PIED
0008	900442561	ANTIVIBRANTE	VIBRATION DAMPER	SCHWINGUNGSDAEMP.	ANTI-VIBRATION
0009	900360345	RINFORZO	REINFORCEMENT	VERSTAERKUNG	RENFORT
0010	900360047	MOBILE	CABINET	SCHRANK	MEUBLE
0011	900359911	DISTANZIALE	SPACER	ABSTANDSSTUECK	ENTRETOISE
0012	900438319	SUPPORTO	SUPPORT	LAGER	SUPPORT
0013	950232942	FUSIBILE 3,15 T	FUSE 3,15 T	SICHERUNG 3,15 T	FUSIBLE 3,15 T
0013	950229690	FUSIBILE 0,5A	FUSE 0,5A	SICHERUNG 0,5A	FUSIBLE 0,5A
0013	900236665	FUSIBILE 5A T	FUSE 5A T	SICHERUNG 5A T	FUSIBLE 5A T
0013	900241582	FUSIBILE 0,5A T	FUSE 0,5A T	SICHERUNG 0,5A T	FUSIBLE 0,5A T



0101	900468757	CARENATURA	FAIRING	VERKLEIDUNG	CARENAGE
0102	9004-103590	PIASTRINA	PLATE	PLAETTCHEN	PLAQUETTE
0103	9002-03173	GHIERA	NUT	NUTMUTTER	BAGUE
0104	9004-103591	RALLA	THRUST PLATE	LAGERSCHALE	BUTEE D'ENGRENAGE
0105	9004-103592	FERMO	RETAINER	ANSCHLAG	ARRET
0107	900361156	PANNELLO	PANEL	VERKLEIDUNG	PANNEAU
0108	900455540	MINUTERIE ELET.	ELECT. SMALLPART	ELEKT. KLEINTEI	PETIT COMPOS.ELEC
0109	900339006	MINUTERIE ELET.	ELECT. SMALLPART	ELEKT. KLEINTEI	PETIT COMPOS.ELEC
0110	900460983	CAVO FLAT	FLAT CABLE	FLACHER KABEL	CABLE FLAT
0111	900484470	TASTIERA	KEYBOARD	TASTATUR	CLAVIER



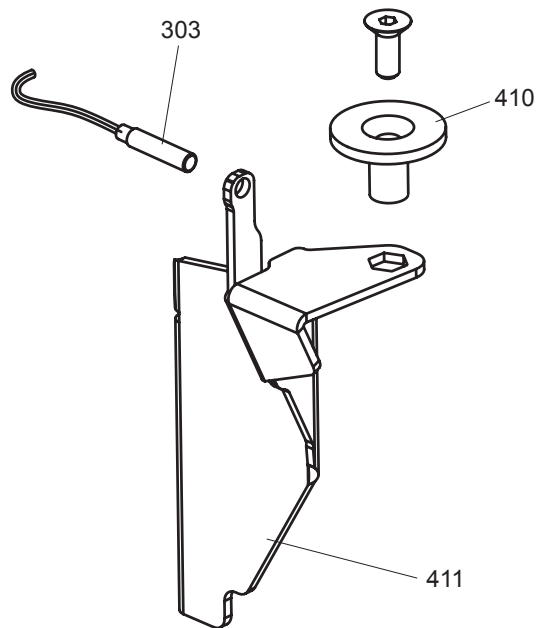
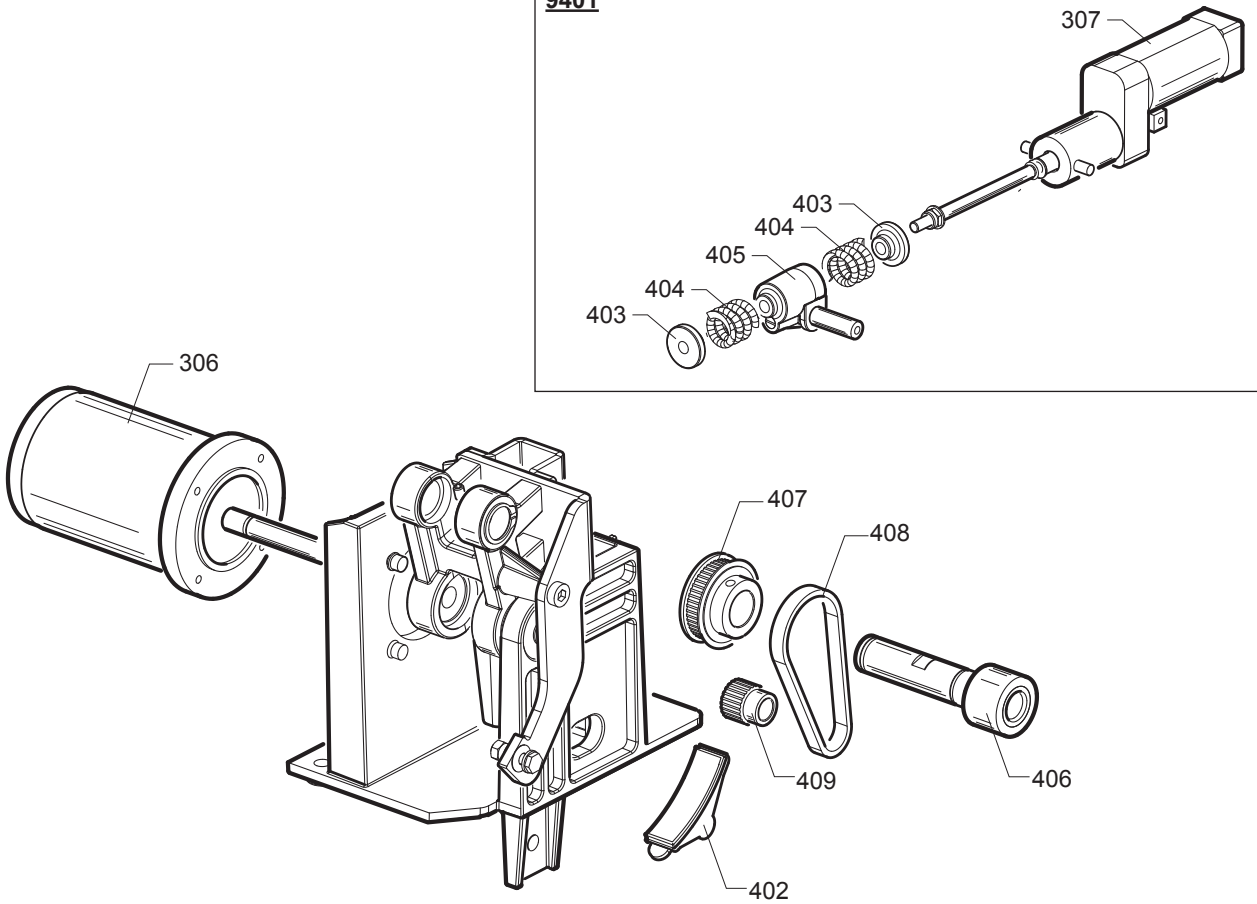
0201	8-21100067	MONITOR 17"	MONITOR 17"	MONITOR 17"	MONITEUR 17"
0201	8-33100019	MONITOR 19"	MONITOR 19"	MONITOR 19"	MONITEUR 19"
0201	900457439	MONITOR 15"	MONITOR 15"	MONITOR 15"	MONITEUR 15"
0202	9004-101147	SUPPORTO	SUPPORT	LAGER	SUPPORT
0203	9004-103593	FERMO	RETAINER	ANSCHLAG	ARRET
0204	9004-103589	PERNO	PIN	ZAPFEN	PIVOT
0205	9004-103599	BOCCOLA	BUSHING	LAGER	DOUILLE
0206	900368814	ANELLO	RING	RING	ANNEAU
0106	9003306009	AMMORTIZZATORE	SHOCK ABSORBER	STOSSDAEMPFER	AMORTISSEUR



0301	900457753	MICROINTERRUT.	MICROSWITCH	MIKROSCHALTER	MICROINTERRUPT.
0302	900241604	CAVO	CABLE	KABEL	CABLE
0303	9004-102905	INTERRUTTORE	SWITCH	SCHALTER	INTERRUPTEUR
0304	9004-101837	CAVO FLAT	FLAT CABLE	FLACHER KABEL	CABLE FLAT
0305	900249280	SK ELETTRONICA	P.C. BOARD	ELEKTR. PLATINE	FICHE ELECTR.
0306	9004-101216	MOTORE	MOTOR	MOTOR	MOTEUR
0307	9004-101223	ATTUATORE	ACTUATOR	DREHTRIEB	ACTUATEUR
0308	9004-101838	CAVO FLAT	FLAT CABLE	FLACHER KABEL	CABLE FLAT
0309	9004-101677	CAVO	CABLE	KABEL	CABLE
0310	9004-102939	TRASFORMATORE	TRANSFORMER	TRANSFORMATOR	TRANSFORMATEUR
0311	9003-01530	FILTRO	FILTER	FILTER	FILTRE
0312	900453492	TIRANTE	STAY ROD	ZUGSTANGE	TIRANT
0313	900453113	MICROINTERRUT.	MICROSWITCH	MIKROSCHALTER	MICROINTERRUPT.
0314	9004-103608	SK ELETTRONICA	P.C. BOARD	ELEKTR. PLATINE	FICHE ELECTR.
0315	950433848	INTERRUTTORE	SWITCH	SCHALTER	INTERRUPTEUR
0316	9004-101674	CAVO	CABLE	KABEL	CABLE
0317	9004-103199	CAVO	CABLE	KABEL	CABLE
0318	9004-101759	CAVO	CABLE	KABEL	CABLE
0319	9004-102252	SK ELETTRONICA	P.C. BOARD	ELEKTR. PLATINE	FICHE ELECTR.
0320	900454754	CAVO FLAT	FLAT CABLE	FLACHER KABEL	CABLE FLAT
0321	900253697	CAVO	CABLE	KABEL	CABLE
0322	900253692	CAVO	CABLE	KABEL	CABLE
0323	9004-101841	CAVO	CABLE	KABEL	CABLE
0324	900453702	CAVO FLAT	FLAT CABLE	FLACHER KABEL	CABLE FLAT
0325	900453965	PRESA	PLUG	STECKDOSE	PRISE
0326	900453698	CAVO FLAT	FLAT CABLE	FLACHER KABEL	CABLE FLAT

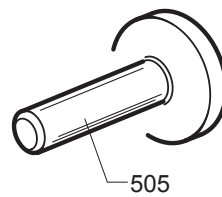
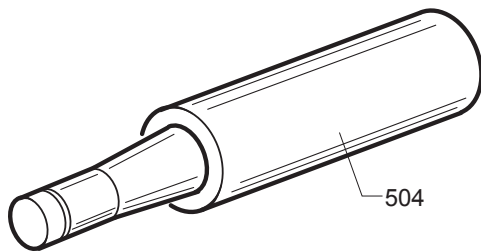
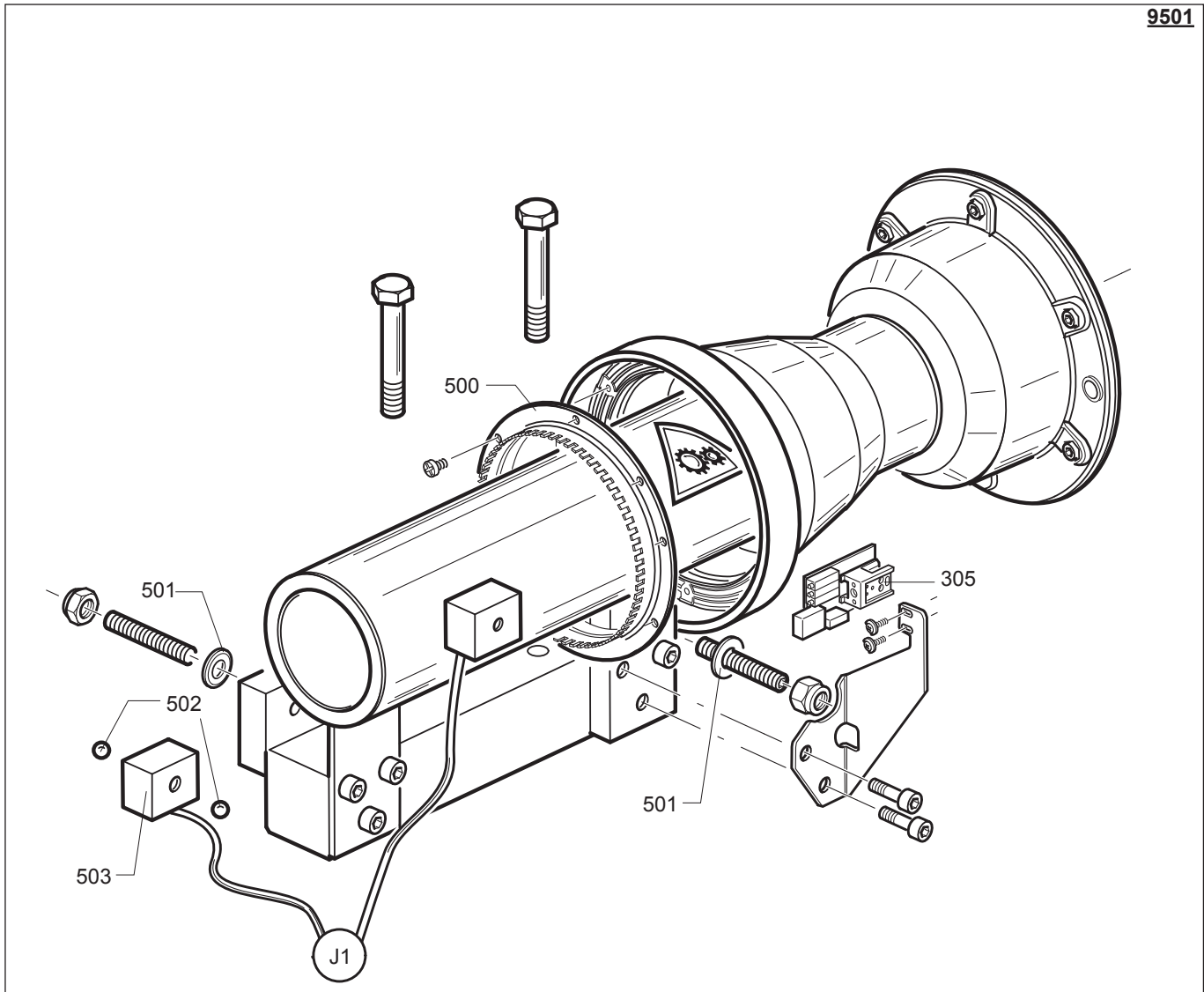
9400

9401

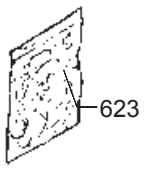
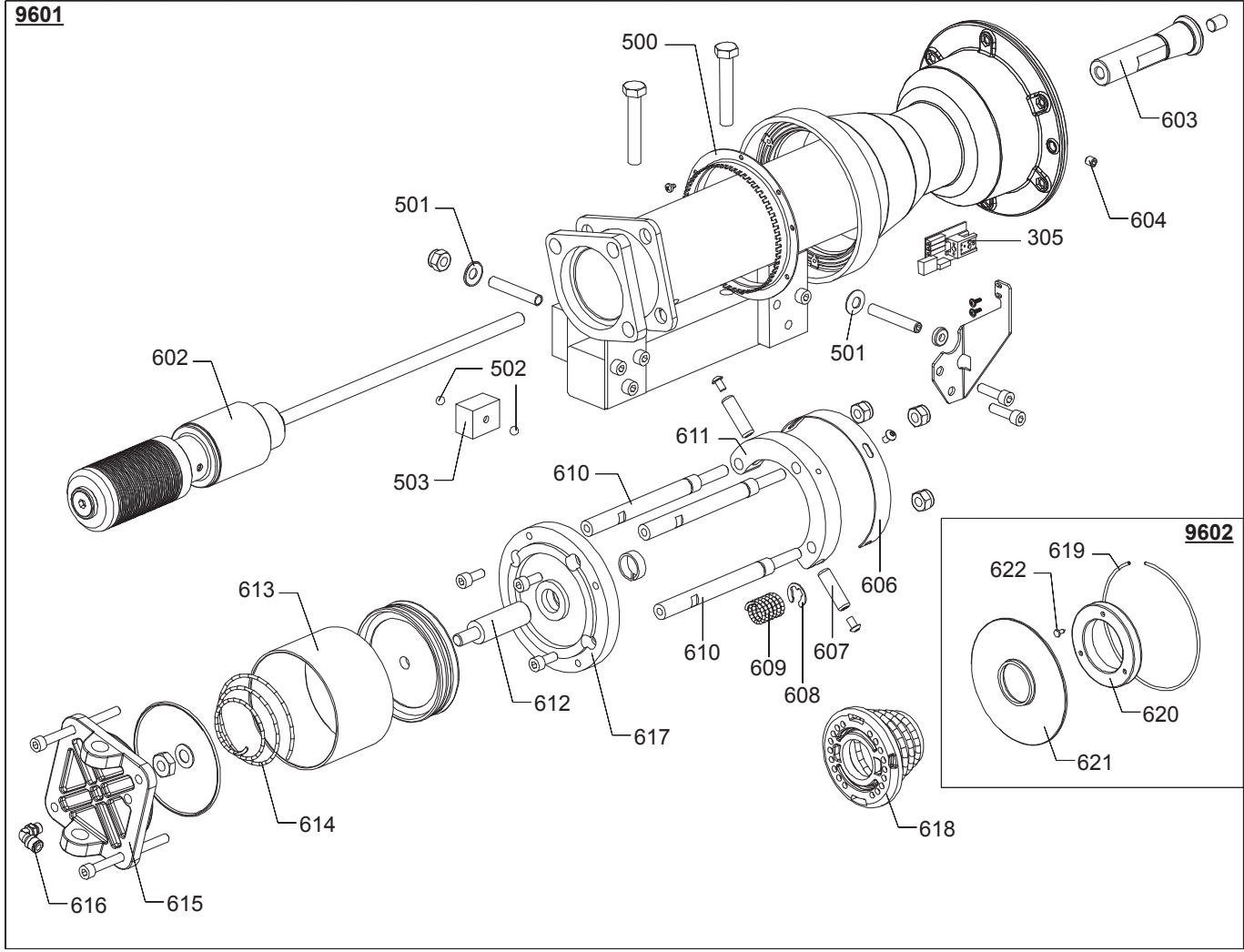


9400	9005-100405	DISPOSIT.DI LANCIO	SPINNING ASSEMBLY	MASCHINENWELLE	DISPOSITIF DE LANC.
0306	9004-101216	MOTORE	MOTOR	MOTOR	MOTEUR
0402	9004-102639	PATTINO	PAD	GLEITSTCHUH	PATIN
0406	9004-101220	RULLO	ROLLER	WALZE	ROULEAU
0407	9004-101214	PULEGGIA	PULLEY	RIEMENSCHIEBE	POULIE
0408	9003-01328	CINGHIA	BELT	RIEMEN	COURROIE
0409	9004-101213	PULEGGIA	PULLEY	RIEMENSCHIEBE	POULIE
9401	9005-100411	ATTUATORE	ACTUATOR	DREHTRIEB	ACTUATEUR
0307	9004-101223	ATTUATORE	ACTUATOR	DREHTRIEB	ACTUATEUR
0403	9004-101224	BOCCOLA	BUSHING	LAGER	DOUILLE
0404	9004-101226	MOLLA	SPRING	FEDER	RESSORT
0405	9004-101225	BLOCCHETTO	BLOCK	BLOCK	BLOC
0410	9004-103760	DISCO	DISK	SCHEIBE	DISQUE
0411	9004-103767	STAFFA	BRACKET	KLAUE	ETRIER
0303	9004-102905	INTERRUTTORE	SWITCH	SCHALTER	INTERRUPTEUR

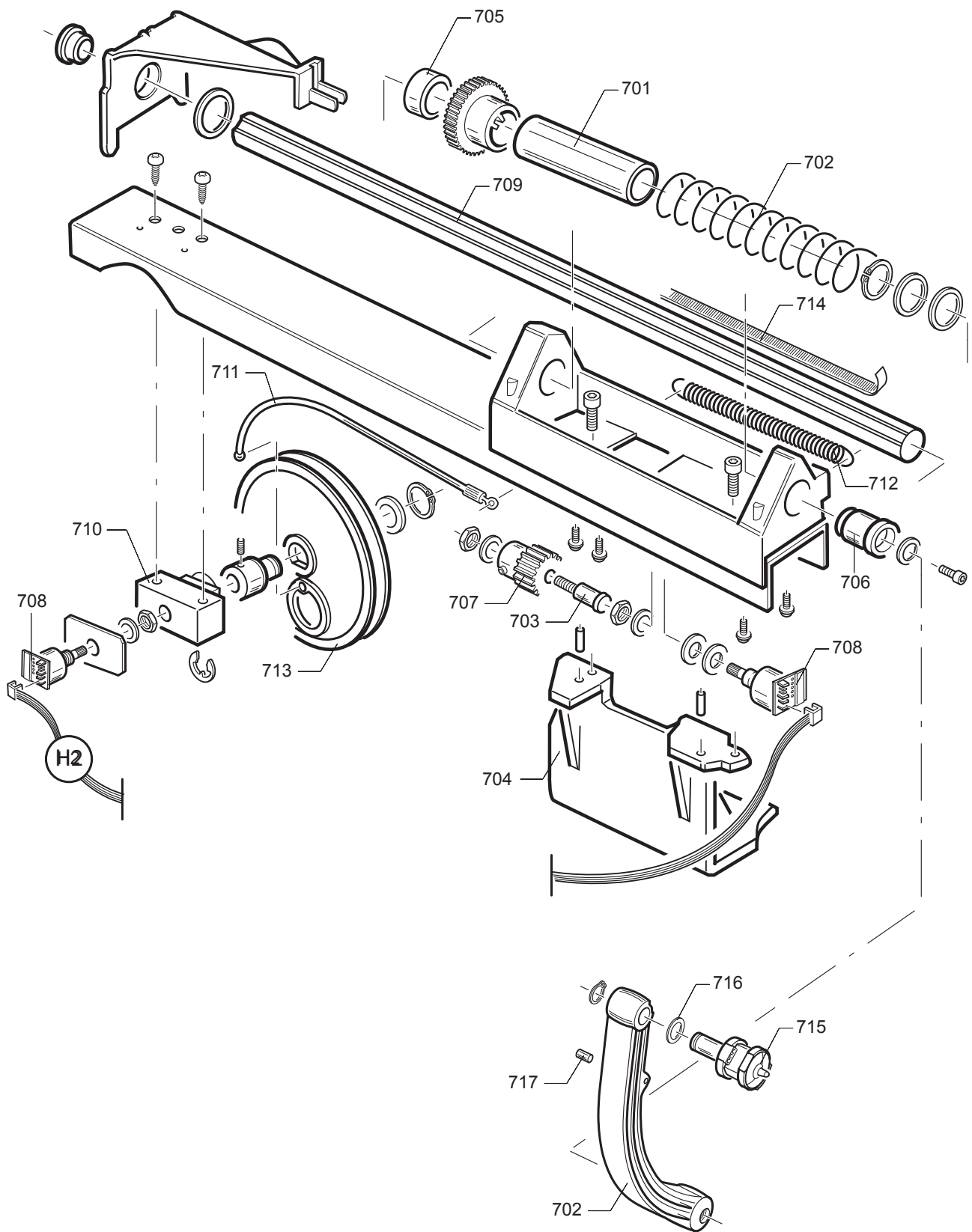
9501



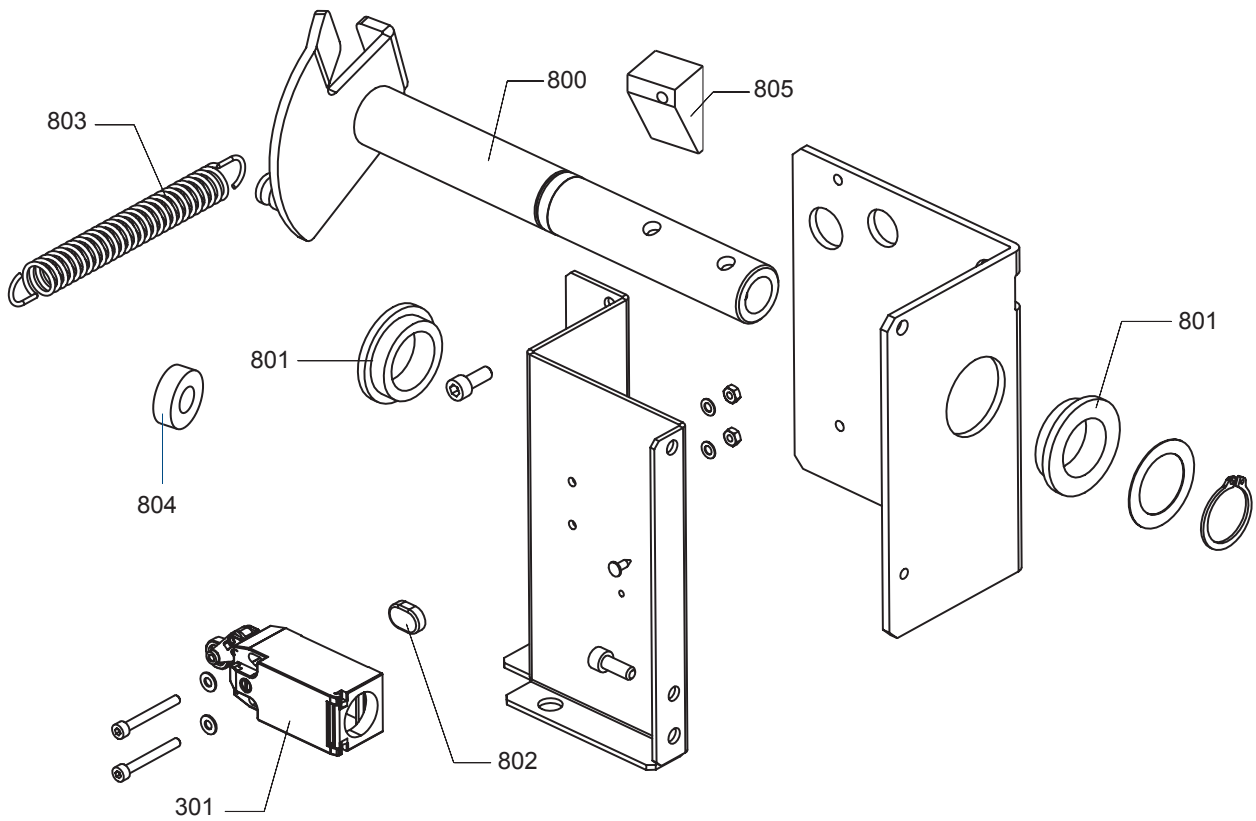
9501	9005-100325	GRUPPO	ASSEMBLY	GRUPPE	GROUPE
0305	900249280	SK ELETTRONICA	P.C. BOARD	ELEKTR. PLATINE	FICHE ELECTR.
0500	900449310	DISCO	DISK	SCHEIBE	DISQUE
0501	900424993	MOLLA	SPRING	FEDER	RESSORT
0502	900600243	SFERA	BALL	KUGEL	BILLE
0503	900243591	PICK-UP	PICK-UP	PICK-UP	PICK-UP
0504	900237462	MOZZO	HUB	NABE	MOYEU
0505	900222101	VITE	SCREW	SCHRAUBE	VIS



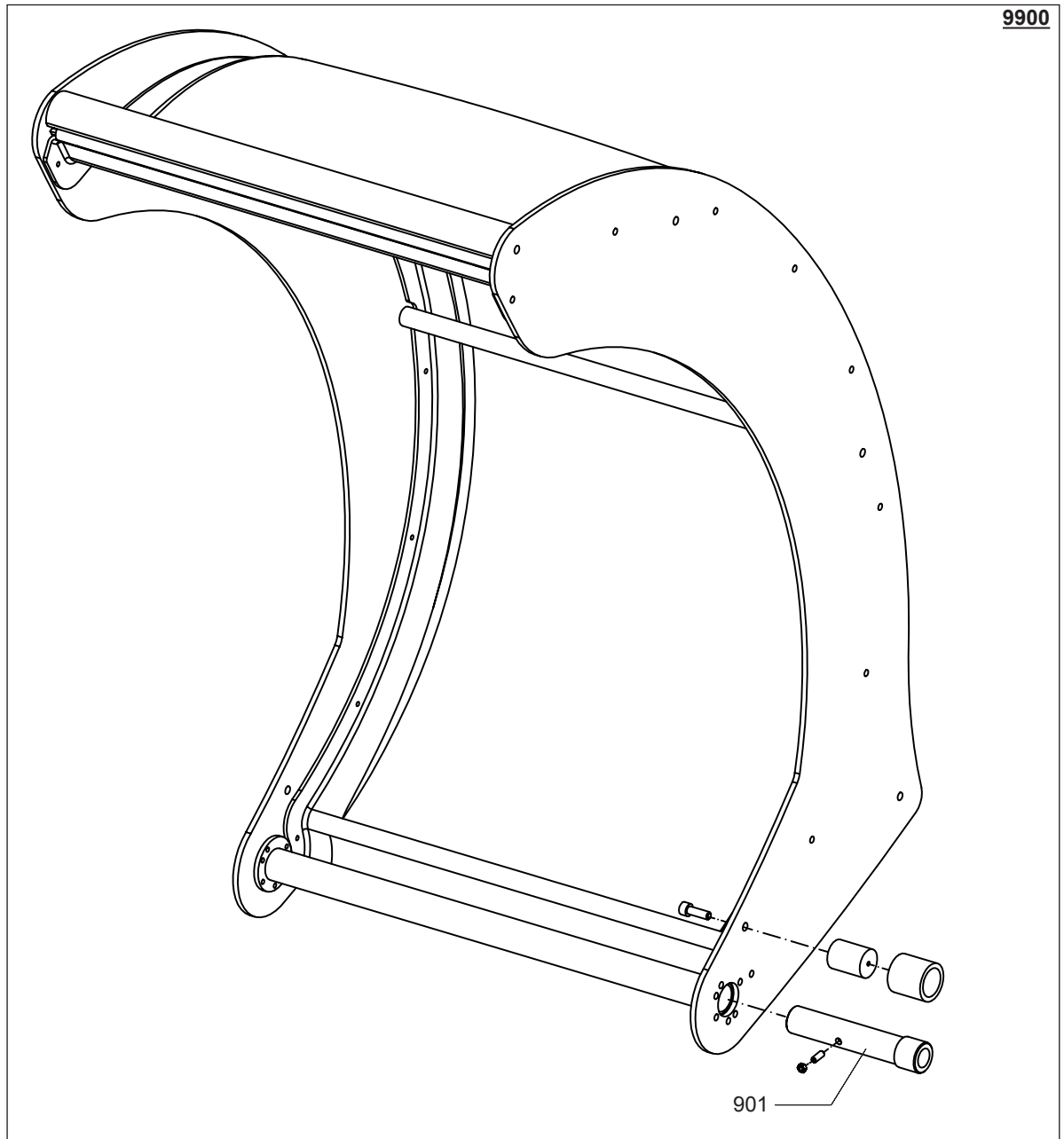
9601	9005-100329	GRUPPO	ASSEMBLY	GRUPPE	GROUPE
0305	900249280	SK ELETTRONICA	P.C. BOARD	ELEKTR. PLATINE	FICHE ELECTR.
0500	900449310	DISCO	DISK	SCHEIBE	DISQUE
0501	900424993	MOLLA	SPRING	FEDER	RESSORT
0502	900600243	SFERA	BALL	KUGEL	BILLE
0503	900243591	PICK-UP	PICK-UP	PICK-UP	PICK-UP
0602	9005-100330	MOLLA	SPRING	FEDER	RESSORT
0603	9004-101311	BLOCCHETTO	BLOCK	BLOCK	BLOC
0604	900600769	VITE	SCREW	SCHRAUBE	VIS
0606	9004-101646	FASCE	BAND	BAND	BANDE
0607	9004-102393	PERNO	PIN	ZAPFEN	PIVOT
0608	9002-01015	ANELLO	RING	RING	ANNEAU
0609	9004-101043	MOLLA	SPRING	FEDER	RESSORT
0610	9004-100961	PERNO	PIN	ZAPFEN	PIVOT
0611	9004-100960	FLANGIA	FLANGE	FLANSCH	FLASQUE
0612	900363434	STELO	STEM	SCHAFT	TIGE
0613	900338818	CILINDRO	CYLINDER	ZYLINDER	CYLINDRE
0614	900463364	MOLLA	SPRING	FEDER	RESSORT
0615	900357265	FLANGIA	FLANGE	FLANSCH	FLASQUE
0616	900246439	RACCORDO	CONNECTOR	ANSCHLUSS	RACCORD
0617	9004-100962	FLANGIA	FLANGE	FLANSCH	FLASQUE
0618	9005-100510	ANELLO	RING	RING	ANNEAU
9602	9005-100961	CENTRAGGIO	SPIGOT	ZENTRIERUNG	CENTRAGE
0619	9004-101740	ANELLO	RING	RING	ANNEAU
0620	9004-102027	DISTANZIALE	SPACER	ABSTANDSSTUECK	ENTRETOISE
0621	9004-101309	DISCO	DISK	SCHEIBE	DISQUE
0622	9002-01272	VITE	SCREW	SCHRAUBE	VIS
0623	9005-100949	KIT GUARNIZIONI	SEALS KIT	DICHTUNGSATZ	KIT JOINTS



0700	90035024229	BOCCOLA	BUSHING	LAGER	DOUILLE
0701	9004-102889	DISTANZIALE	SPACER	ABSTANDSSTUECK	ENTRETOISE
0702	9004-102886	MOLLA	SPRING	FEDER	RESSORT
0703	90033021118	VITE	SCREW	SCHRAUBE	VIS
0704	9004-102726	SUPPORTO	SUPPORT	LAGER	SUPPORT
0705	900439461	BOCCOLA	BUSHING	LAGER	DOUILLE
0706	9004-102731	BOCCOLA	BUSHING	LAGER	DOUILLE
0707	90035020979	PIGNONE	PINION	RITZEL	PIGNON
0708	9004-102818	SK ELETTRONICA	P.C. BOARD	ELEKTR. PLATINE	FICHE ELECTR.
0709	900357405	ASTA	SHAFT	STANGE	BARRE
0710	900457404	SUPPORTO	SUPPORT	LAGER	SUPPORT
0711	900457130	FUNE	CABLE	SEIL	CABLE
0712	9004-102888	MOLLA	SPRING	FEDER	RESSORT
0713	900257481	PULEGGIA	PULLEY	RIEMENSCHIEBE	POULIE
0714	900439488	TARGHETTA	DATA PLATE	TYPENSCHILD	PLAQUETTE
0715	900249339	TERMINALE	TERMINAL	ENDVERSCHLUSS	COSSE
0716	900450073	ANELLO	RING	RING	ANNEAU
0717	9004-102903	MAGNETE	MAGNETO	MAGNET	AIMANT
0718	9004-102618	LEVA	LEVER	HEBEL	LEVIER

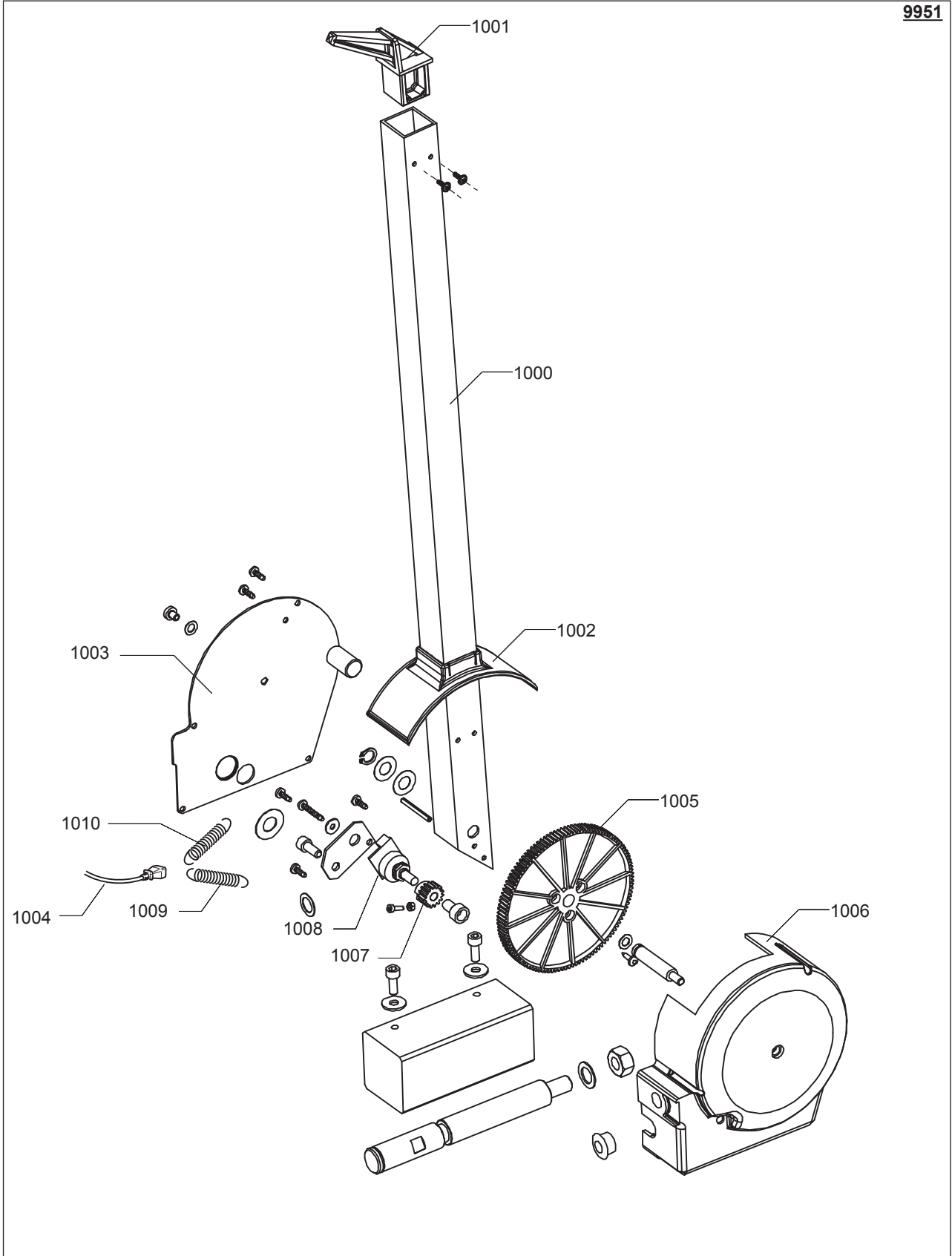


0301	900457753	MICROINTERRUT.	MICROSWITCH	MIKROSCHALTER	MICROINTERRUPT.
0800	900253453	FERMO	RETAINER	ANSCHLAG	ARRET
0801	900433637	BOCCOLA	BUSHING	LAGER	DOUILLE
0802	900413163	TASSELLO	BLOCK	EINSATZSTUECK	TAMPON
0803	900449270	MOLLA	SPRING	FEDER	RESSORT
0804	008901000			FEDER	RESSORT
0805	9004-104417	FERMO	RETAINER	ANSCHLAG	ARRET

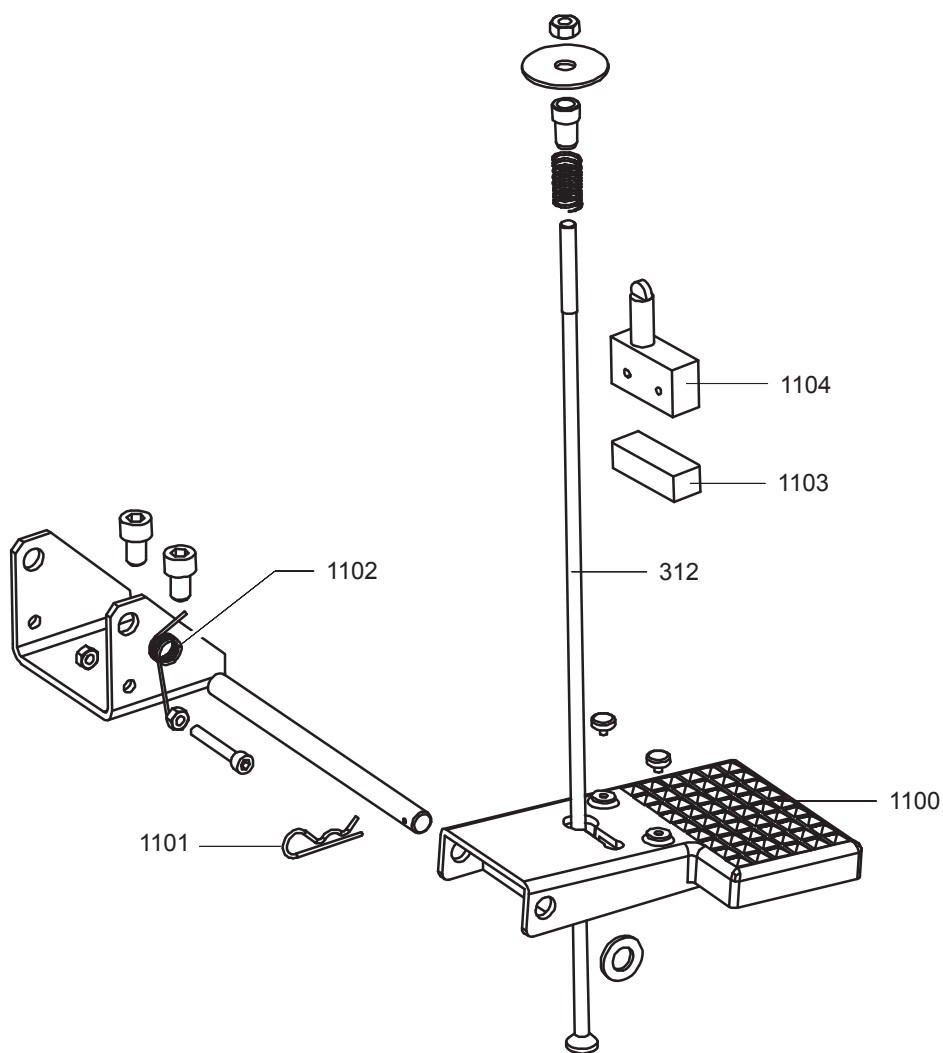


9900	9005-101151	PROTEZIONE	SHIELD	ABDECKUNG	PROTECTION
0901	9004-600756	BOCCOLA	BUSHING	LAGER	DOUILLE

9951

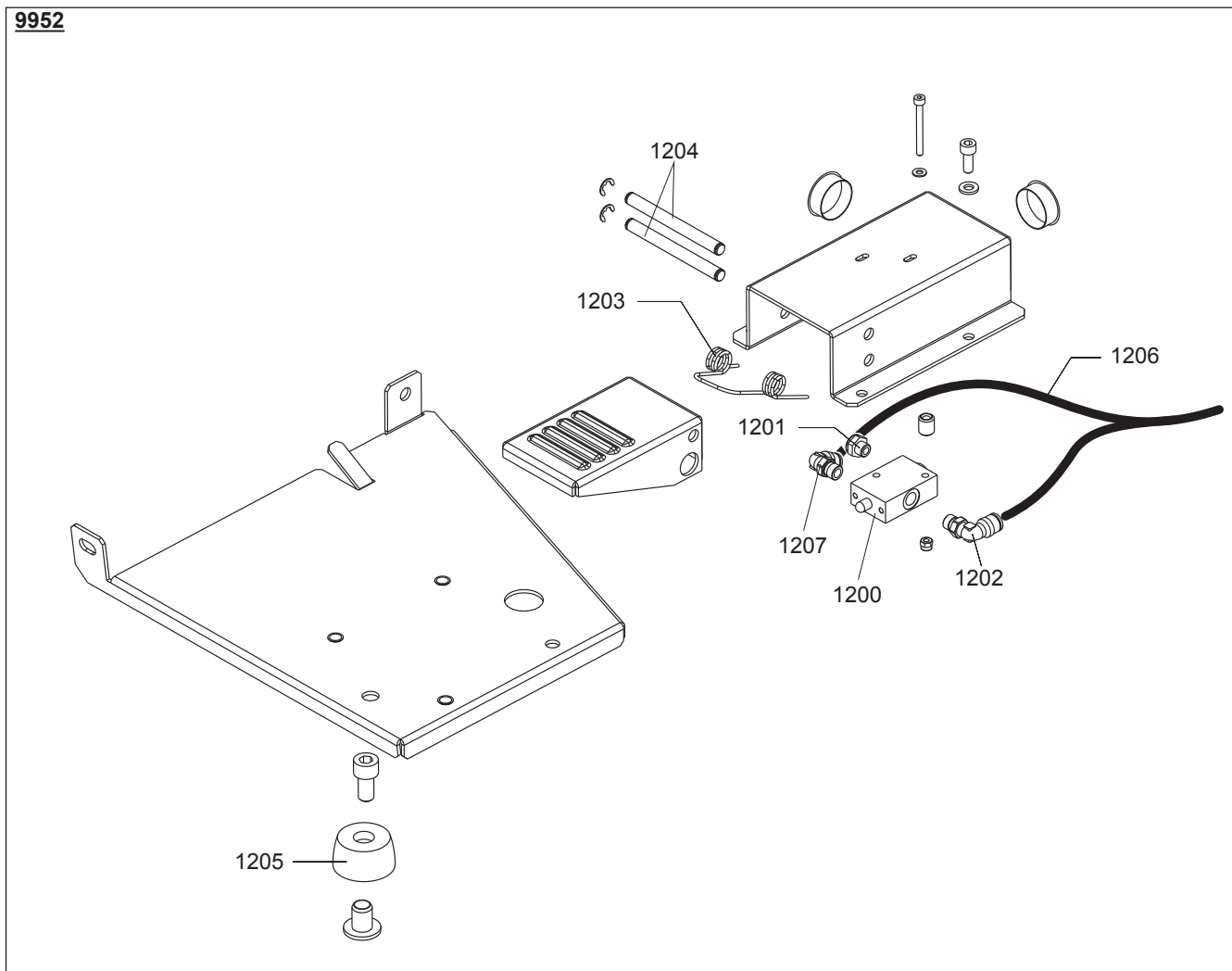


9951	900257670	RILEVATORE	SIGNAL TRACER	AUFNEHMER	MESUREUR
1000	900353559	BRACCIO	ARM	ARM	BRAS
1001	900453572	TASTATORE	FEELER PIN	FUEHLER	PALPEUR
1002	900454458	PROTEZIONE	SHIELD	ABDECKUNG	PROTECTION
1003	900353578	COPERCHIO	LID	DECKEL	COUVERCLE
1004	900453493	CAVO FLAT	FLAT CABLE	FLACHER KABEL	CABLE FLAT
1005	900453579	INGRANAGGIO	GEAR	ZAHNRADGETRIEBE	ENGRENAGE
1006	900454457	CORPO	BODY	KOERPER	CORPS
1007	900449326	PIGNONE	PINION	RITZEL	PIGNON
1008	900248387	POTENZIOMETRO	POTENTIOMETER	POTENTIOMETER	POTENTIOMETRE
1009	900455120	MOLLA	SPRING	FEDER	RESSORT
1010	900454239	MOLLA	SPRING	FEDER	RESSORT

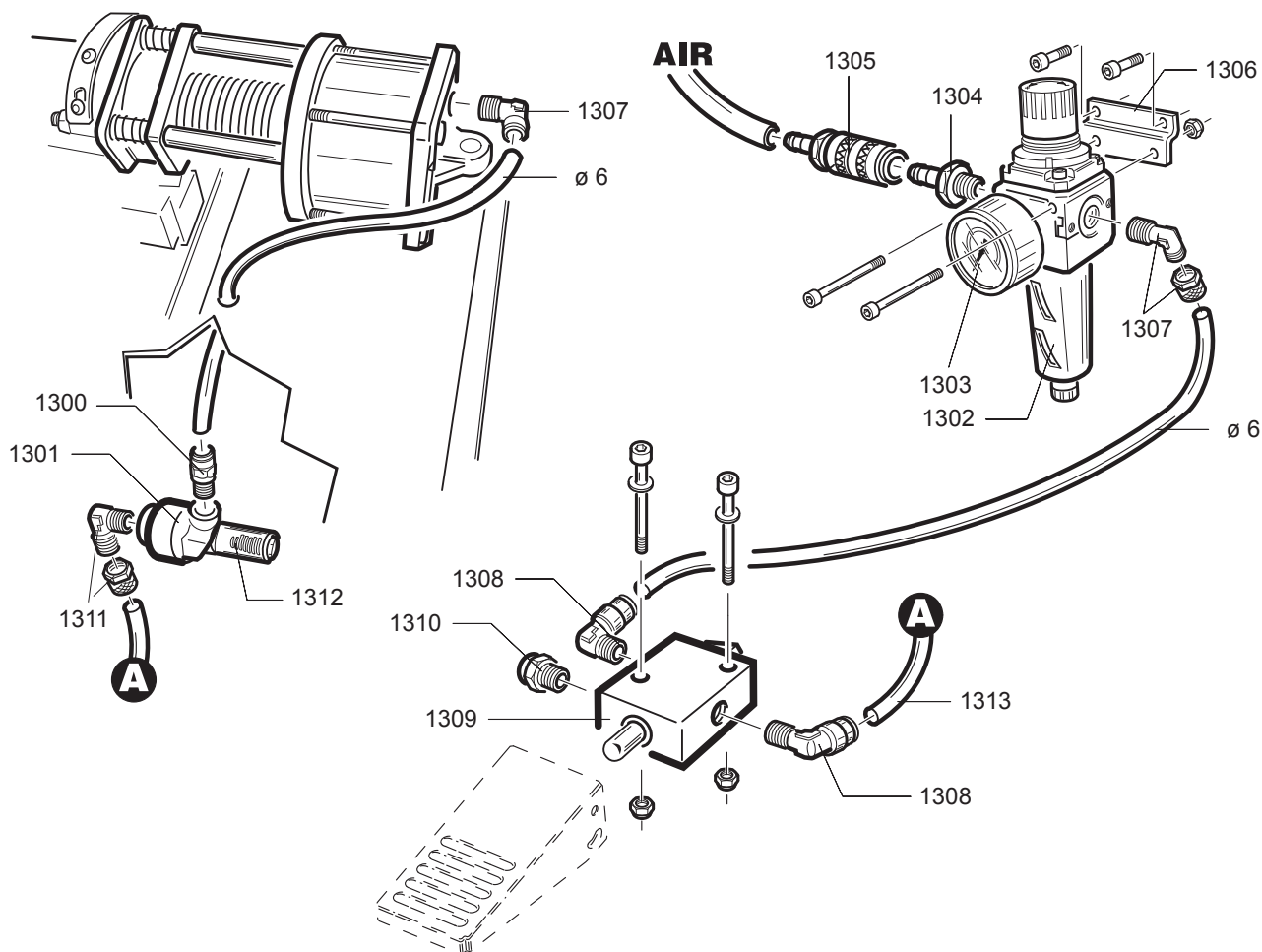


0312	900453492	TIRANTE	STAY ROD	ZUGSTANGE	TIRANT
1100	900479233	PEDALE	PEDAL	PEDAL	PEDALE
1101	900435055	MOLLA	SPRING	FEDER	RESSORT
1102	900453495	MOLLA	SPRING	FEDER	RESSORT
1103	9004-104350	PROTEZIONE	SHIELD	ABDECKUNG	PROTECTION
1104	9004-104349	MICROINTERRUT.	MICROSWITCH	MIKROSCHALTER	MICROINTERRUPT.

9952



9952	9005-100341	PEDALE	PEDAL	PEDAL	PEDALE
1201	900452564	VALVOLA	VALVE	VENTIL	VANNE
1202	900438664	RACCORDO	CONNECTOR	ANSCHLUSS	RACCORD
1203	900437689	MOLLA	SPRING	FEDER	RESSORT
1204	900337690	PERNO	PIN	ZAPFEN	PIVOT
1205	900460029	PIEDE	FOOT	FUSS	PIED
1206	900354534	TUBO	PIPE	ROHR	TUYAU



1300	900440888	RACCORDO	CONNECTOR	ANSCHLUSS	RACCORD
1301	900453631	VALVOLA	VALVE	VENTIL	VANNE
1302	900434617	FILTRO	FILTER	FILTER	FILTRE
1303	900434818	MANOMETRO	PRESSURE GAUGE	DRUCKMESSER	MANOMETRE
1304	900441900	GIUNTO	COUPLING	KUPPLUNG	ACCOUPEMENT
1305	900441899	GIUNTO	COUPLING	KUPPLUNG	ACCOUPEMENT
1306	900333683	STAFFA	BRACKET	KLAUE	ETRIER
1307	9003-00231	RACCORDO PNEUM.	PNEUM. CONNECTION	PNEUM. ANSCHE.	RACCORD.PNEUM.
1308	900443432	RACCORDO	CONNECTOR	ANSCHLUSS	RACCORD
1309	900419138	SILENZIATORE	SILENCER	SCHALLDAEMPFER	SILENCIEUX
1310	900415279	SILENZIATORE	SILENCER	SCHALLDAEMPFER	SILENCIEUX
1311	900246426	RACCORDO	CONNECTOR	ANSCHLUSS	RACCORD
1313	9001-04283	TUBO Ø6	PIPE Ø6	ROHR Ø6	TUYAU Ø6

A large rectangular area containing 20 horizontal dotted lines, spaced evenly down the page, intended for writing or drawing.

SIMPESFAIP S.p.A.

Sede Legale: Via San Martino 3/A - 42015 Correggio (RE) Italy

Uffici e Stabilimento: Via della Repubblica, 7 - 41011 Campogalliano (MO) Italy - Tel. 059/899911 - Fax 059/527698

Stabilimento: Via M. D'Antona, 5 - 10040 Rivalta (TO) Italy - Tel. 011/9036611 - Fax 011/9032607

www.simpesfaip.it - e-mail: info@simpesfaip.it