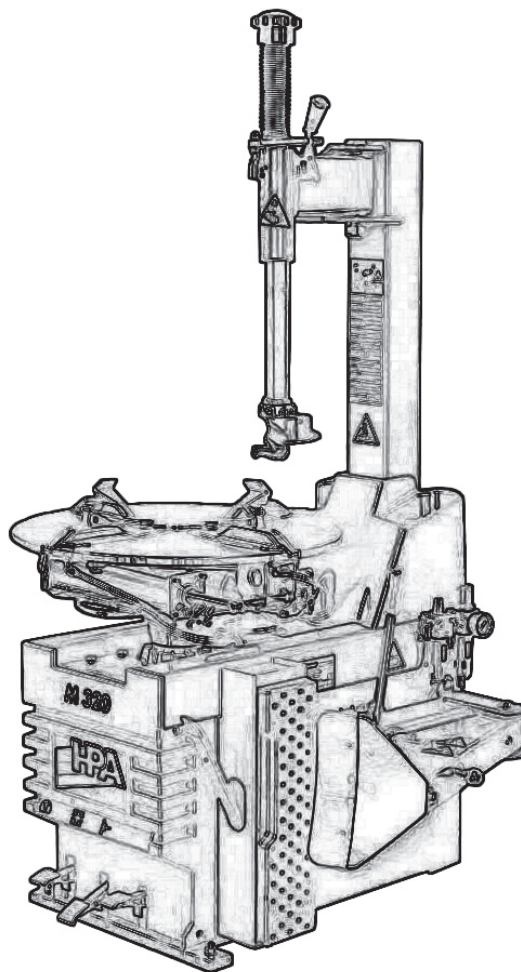


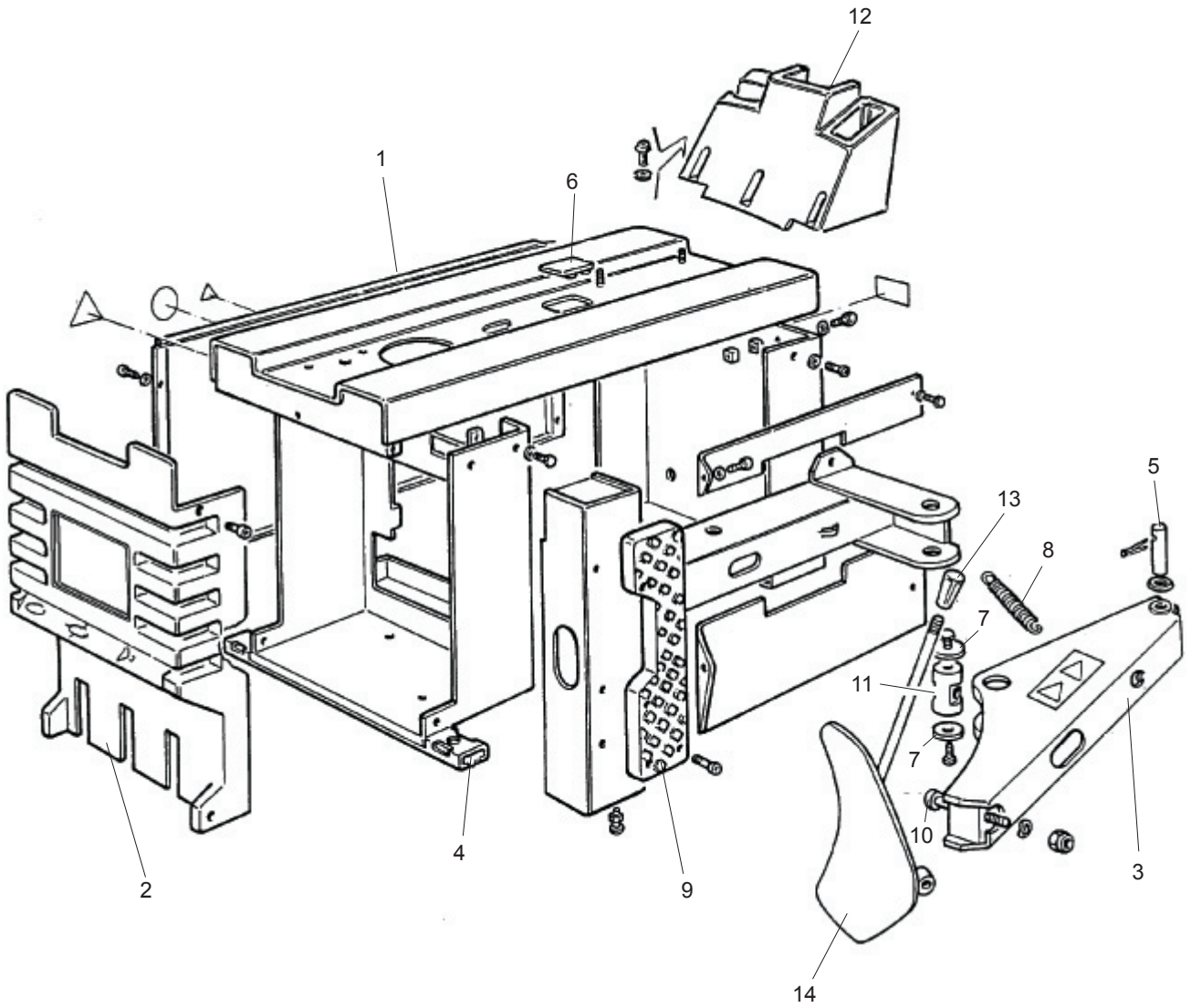
M 320 - M 320 FS M 318 - M 318 FS

*Pezzi di ricambio
Spare Parts List
Ersatzteilliste
Pieces De Rechange*

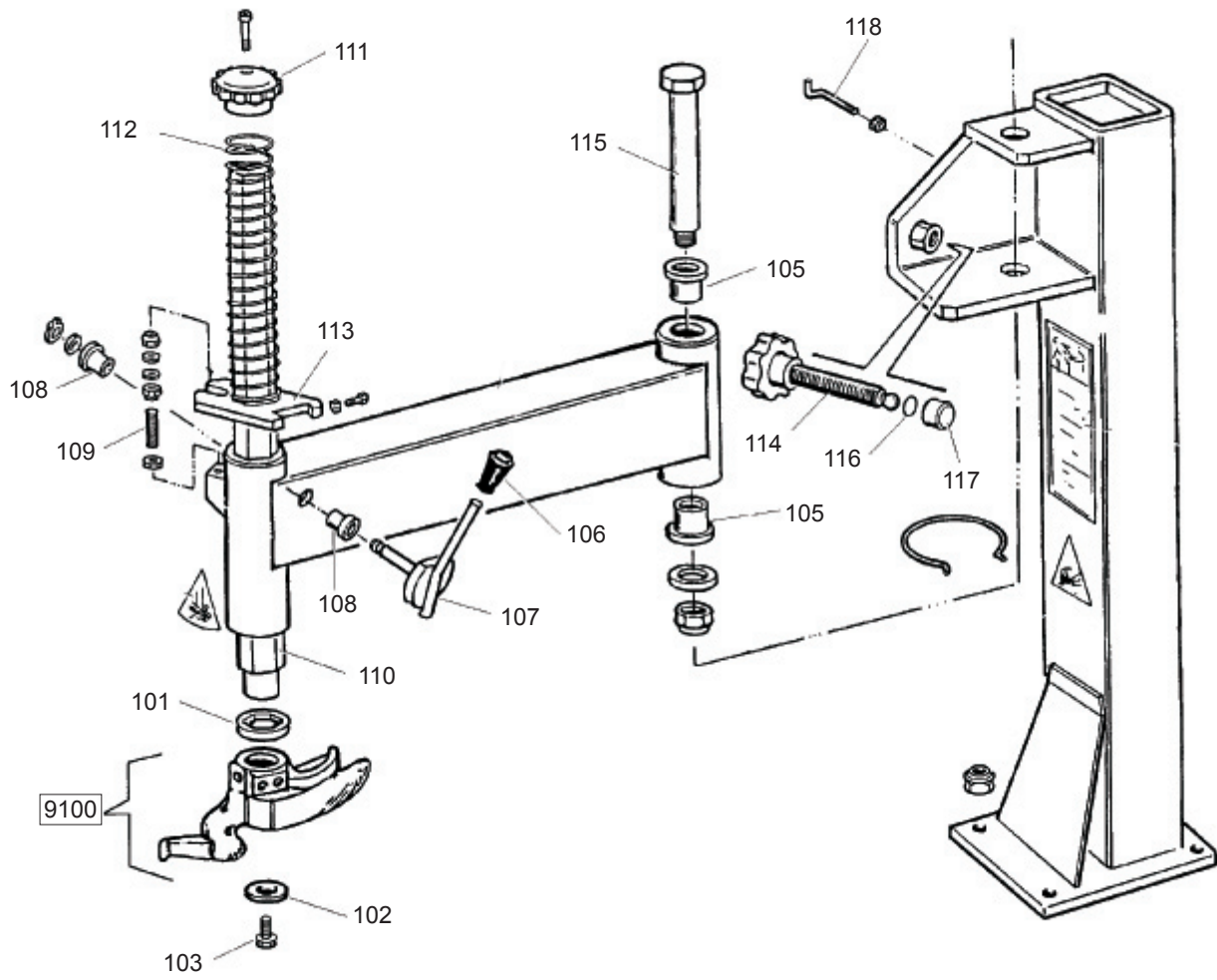


Code
4-106310

Production from
09 / 2006



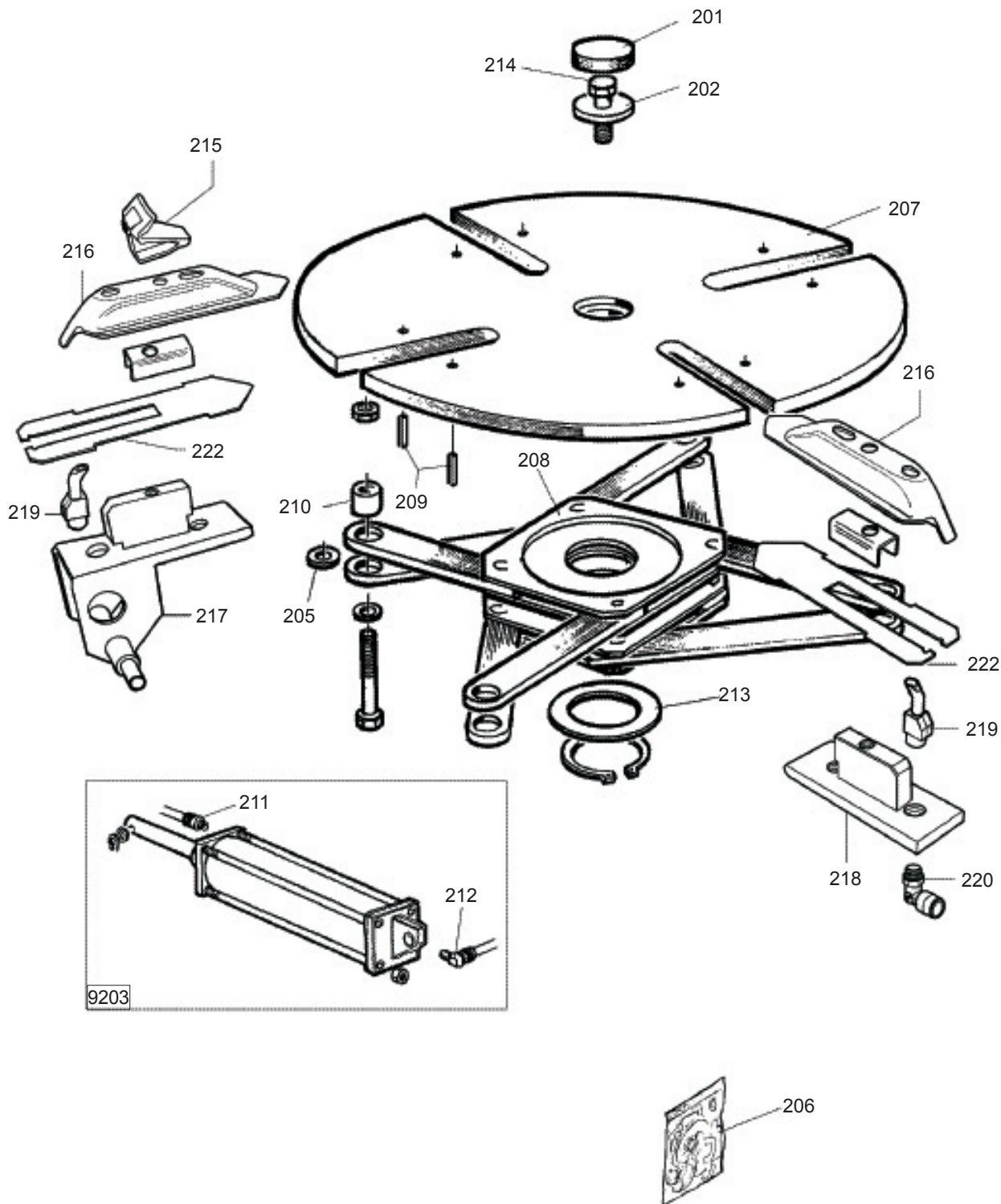
0001	900341046	COFANO FS	FS HOOD	HAUBE	COFFRE
0001	900324797	COFANO	HOOD	HAUBE	COFFRE
0002	900439201	COFANO	HOOD	HAUBE	COFFRE
0003	900224003	BRACCIO	ARM	ARM	BRAS
0004	900422019	PIEDE	FOOT	FUSS	PIED
0005	900323903	FULCRO	FULCRUM	DREHPUNKT	ENTABLURE
0006	900439206	TAPPO	PLUG	STOPFEN	BOUCHON
0007	950323901	RONDELLA	WASHER	UNTERLEGSCHIEBE	RONDELLE
0008	900424364	MOLLA	SPRING	FEDER	RESSORT
0009	900436199	APPOGGIO	RIM SUPPORT	STUETZE	APPUI
0010	900324008	PERNO	PIN	ZAPFEN	PIVOT
0011	900323902	PERNO	PIN	ZAPFEN	PIVOT
0012	900484298	COLLARE	TRAY	ABLAGEMULDENAUFSAZ	COLLIER
0013	900425219	MANOPOLA	KNOB	BALLENGRIFF	BOUTONE
0014	900224000	PALETTA	BEAD BREAKER	SCHAUFEL	LEN



0101	900428681	ANELLO	RING	RING	ANNEAU
0102	900350194	RONDELLA	WASHER	UNTERLEGSCHIEBE	RONDELLE
0103	900350197	VITE	SCREW	SCHRAUBE	VIS
0105	900473597	BOCCOLA	BUSHING	LAGER	DOUILLE
0106	900477973	MANOPOLA	HANDLE GRIP	PLASTIKGRIFF	POIGNEE
0107	900270242	LEVA CAMME	LEVER	NOCKENHEBEL	LEVIER
0108	900373544	BOCCOLA NYLON	BUSH	NYLONBUCHEE	COQUILLE
0109	900372221	BARRA FILETTATA	THREADED ROD	GEWINDESTAB	BARRE FILETE'
0110	900379983	ALBERO	SHAFT	KOPFHALTERWELLE	ARBRE
0111	900470171	VOLANTINO	HANDWHEEL	BEDIENUNGSGRIF	VOLANT
0112	900479984	MOLLA	SPRING	FEDER	RESSORT
0113	900376264	PIATTELLO	PLATE	TELLERSCHIEBE	COUPELLE
0114	900479917	BARRA	BAR	STANGE	BARRE
0115	900381806	PERNO	PIN	ZAPFEN	PIVOT
0116	900425597	GUARNIZIONE	SEAL	DICHTUNG	JOINT
0117	900372259	TESTINA APPOGGIO	HEAD	AUFLAGEKOPT	TETE
0118	900370237	GANCIO	HOOK	HAKEN	CROCHET

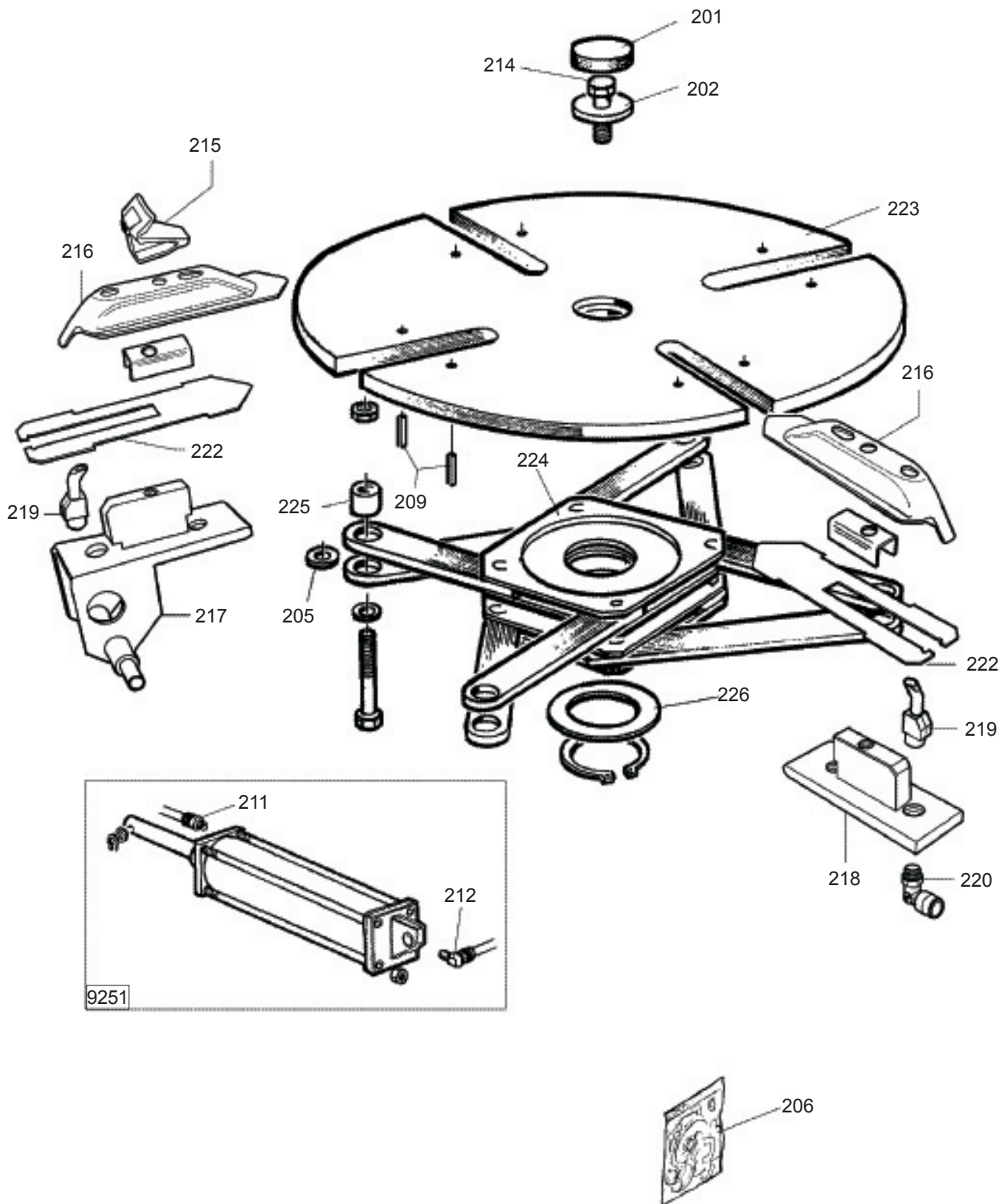
9100	900258761	TORRETTA	MOUNT/DEMOUNT HEAD
------	-----------	----------	--------------------

9200



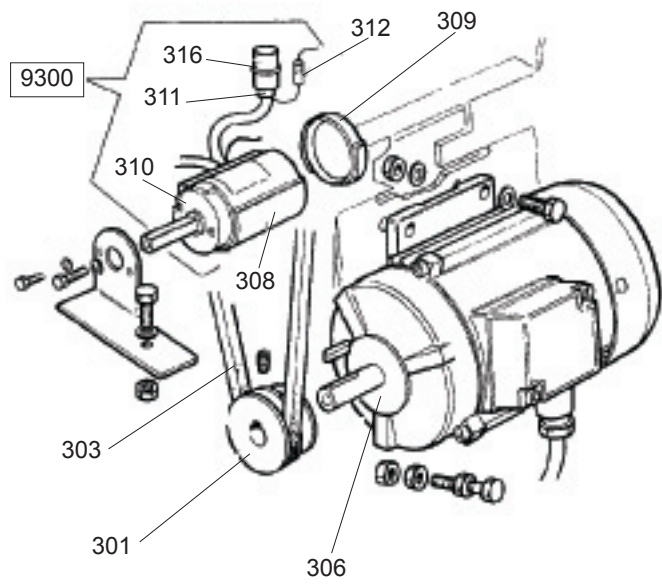
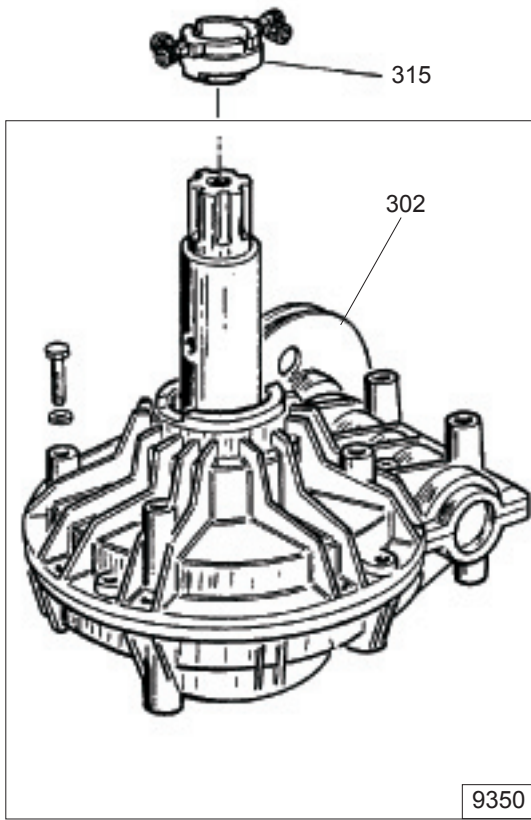
9200	9005-100402	KIT AUTOCENTRANTE FS 10"-18" / 13"-21"		FS TURNTABLE 10"-18" / 13"-21" KIT	
9200	9005-100406	KIT AUTOCENTRANTE 10"-18" / 13"-21"		TURNTABLE 10"-18" / 13"-21" KIT	
0201	900426514	TAPPO	PLUG	STOPFEN	BOUCHON
0202	900323363	RONDELLA	WASHER	UNTERLEGSSCHEIBE	RONDELLE
0205	900428636	RONDELLA	WASHER	UNTERLEGSSCHEIBE	RONDELLE
0206	900238548	KIT GUARNIZIONI	SEALS KIT	DICHTUNGSATZ	KIT JOINTS
0207	900254650	PIATTO	PLATE	TELLER	PLAT
0208	900239167	FLANGIA	FLANGE	FLANSCH	FLASQUE
0209	900601059	SPINA	PLUG	STECKER	FICHE
0210	9004-101931	BOCCOLA	BUSHING	LAGER	DOUILLE
0213	900425004	RONDELLA	WASHER	UNTERLEGSSCHEIBE	RONDELLE
0214	900601216	VITE	SCREW	SCHRAUBE	VIS
0215	9003008225	GRIFFA	JAW	BACKE	MORS
0216	9004-101871	SCORREVOLE FS	FS SLIDER	SCHIEBER	CURSEUR
0216	9004-101872	SCORREVOLE	SLIDER	SCHIEBER	CURSEUR
0217	9004-101130	APPOGGIO	RIM SUPPORT	STUETZE	APPUI
0218	9004-101122	APPOGGIO	RIM SUPPORT	STUETZE	APPUI
0219	9004-101918	UGELLO FS	FS NOZZLE	DUESE	BUSE-TUYERE
0220	9003-00050	RACCORDO	CONNECTION	ANSCHL	RACCORD
0222	9004-101151	SLITTA	SLIDE	SCHLITTEN	CHARIOT
9203	900254653	CILINDRO DX	CYLINDER	ZYLINDER	CYLINDRE
0211	9003-02045	RACCORDO	CONNECTION	ANSCHL	RACCORD
0212	9003-02044	RACCORDO	CONNECTION	ANSCHL	RACCORD
9203	900254652	CILINDRO SX	CYLINDER	ZYLINDER	CYLINDRE
0212	9003-02044	RACCORDO	CONNECTION	ANSCHL	RACCORD

9250



9251

9250	9005-100385	AUTOCENTRANTE FS 10"-20" / 13"-23"		FS TURNTABLE 10"-20" / 13"-23"	
9250	9005-100408	AUTOCENTRANTE 10"-20" / 13"-23"		TURNTABLE 10"-20" / 13"-23"	
0201	900426514	TAPPO	PLUG	STOPFEN	BOUCHON
0202	900323363	RONDELLA	WASHER	UNTERLEGSSCHEIBE	RONDELLE
0205	900428636	RONDELLA	WASHER	UNTERLEGSSCHEIBE	RONDELLE
0206	900238548	KIT GUARNIZIONI	SEALS KIT	DICHTUNGSATZ	KIT JOINTS
0209	900601059	SPINA	PLUG	STECKER	FICHE
0214	900601216	VITE	SCREW	SCHRAUBE	VIS
0215	9003008225	GRIFFA	JAW	BACKE	MORS
0216	9004-101871	SCORREVOLE FS	FS SLIDER	SCHIEBER	CURSEUR
0216	9004-101872	SCORREVOLE	SLIDER	SCHIEBER	CURSEUR
0217	9004-101130	APPOGGIO	RIM SUPPORT	STUETZE	APPUI
0218	9004-101122	APPOGGIO	RIM SUPPORT	STUETZE	APPUI
0219	9004-101918	UGELLO FS	FS NOZZLE	DUESE	BUSE-TUYERE
0220	9003-00050	RACCORDO	CONNECTION	ANSCH	RACCORD
0222	9004-101151	SLITTA	SLIDE	SCHLITTEN	CHARIOT
0223	900253758	PIATTO	PLATE	TELLER	PLAT
0224	9004-101651	FLANGIA	FLANGE	FLANSCH	FLASQUE
0225	900337965	BOCCOLA	BUSHING	LAGER	DOUILLE
0226	900455082	RONDELLA	WASHER	UNTERLEGSSCHEIBE	RONDELLE
9251	900253784	CILINDRO DX	CYLINDER	ZYLINDER	CYLINDRE
0211	9003-02045	RACCORDO	CONNECTION	ANSCH	RACCORD
0212	9003-02044	RACCORDO	CONNECTION	ANSCH	RACCORD
9251	900253783	CILINDRO SX	CYLINDER	ZYLINDER	CYLINDRE
0212	9003-02044	RACCORDO	CONNECTION	ANSCH	RACCORD

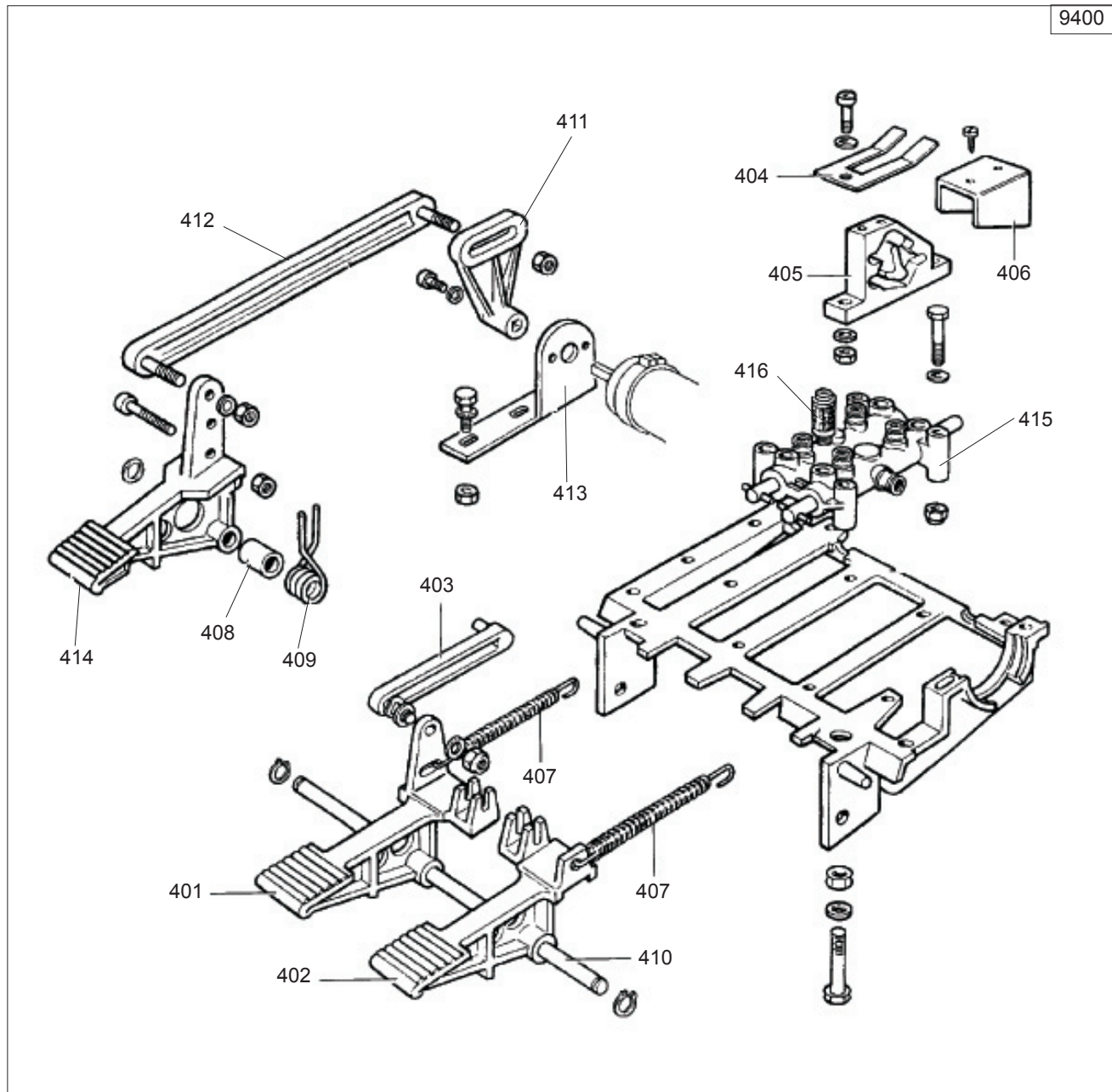


9300	900249881	IMPIANTO ELETTRICO 1PH 220V		220V 1PH ELECTRIC SYSTEM	
9300	900249882	IMPIANTO ELETTRICO 1PH 115V		115V 1PH ELECTRIC SYSTEM	
9300	900235574	IMPIANTO ELETTRICO 3PH		3PH ELECTRIC SYSTEM	
0308	900432065	PROTEZIONE	SHIELD	ABDECKUNG	PROTECTION
0310	900421523	INVERTITORE 25A	REVERSER	RICHTUNGSWENDER	INVERSEUR
0310	900435363	INVERTITORE 35A	REVERSER	RICHTUNGSWENDER	INVERSEUR
0311	900449750	CONDENSAT.35MF	CAPACITOR	KONDENSATOR	CONDENSATEUR
0311	900449751	CONDENSAT.45MF	CAPACITOR	KONDENSATOR	CONDENSATEUR
0312	900430770	RESISTENZA	RESISTANCE	WIDERSTAND	RESISTANCE
0316	900430750	CAPPELLOTTO	CAP NUT	ABSCHLUSSKAPPE	CAPUCHON

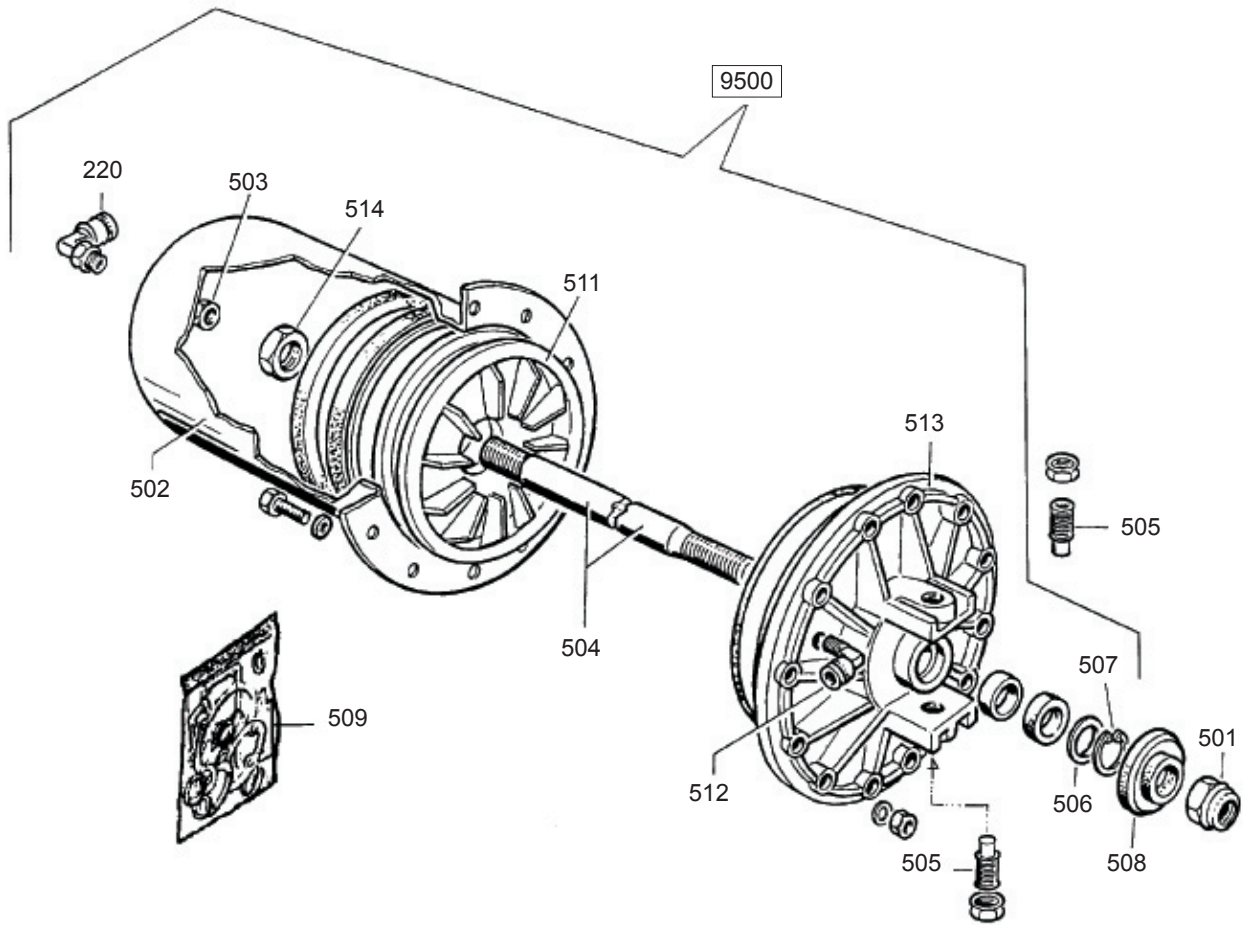
9350	900243102	RIDUTTORE	GEAR BOX	GETRIEBE	REDUCTEUR
0302	900414344	PULEGGIA	PULLEY	RIEMENSCHLEIBE	POULIE

0301	900325274	PULEGGIA	PULLEY	RIEMENSCHLEIBE	POULIE
0303	900426352	CINGHIA	BELT	RIEMEN	COURROIE
0306	900449749	MOTORE 1PH 110V60HZ		110V60HZ 1PH MOTOR	
0306	900449748	MOTORE 1PH 230V60HZ		230V60HZ 1PH MOTOR	
0306	900449747	MOTORE 1PH 230V50HZ		230V50HZ 1PH MOTOR	
0306	950412959	MOTORE 3PH 230/400V		230/400V 3PH MOTOR	
0309	900430991	COPERCHIO	LID	DECKEL	COUVERCLE
0315	900228389	RACCORDO	CONNECTOR	ANSCHLUSS	RACCORD

9400

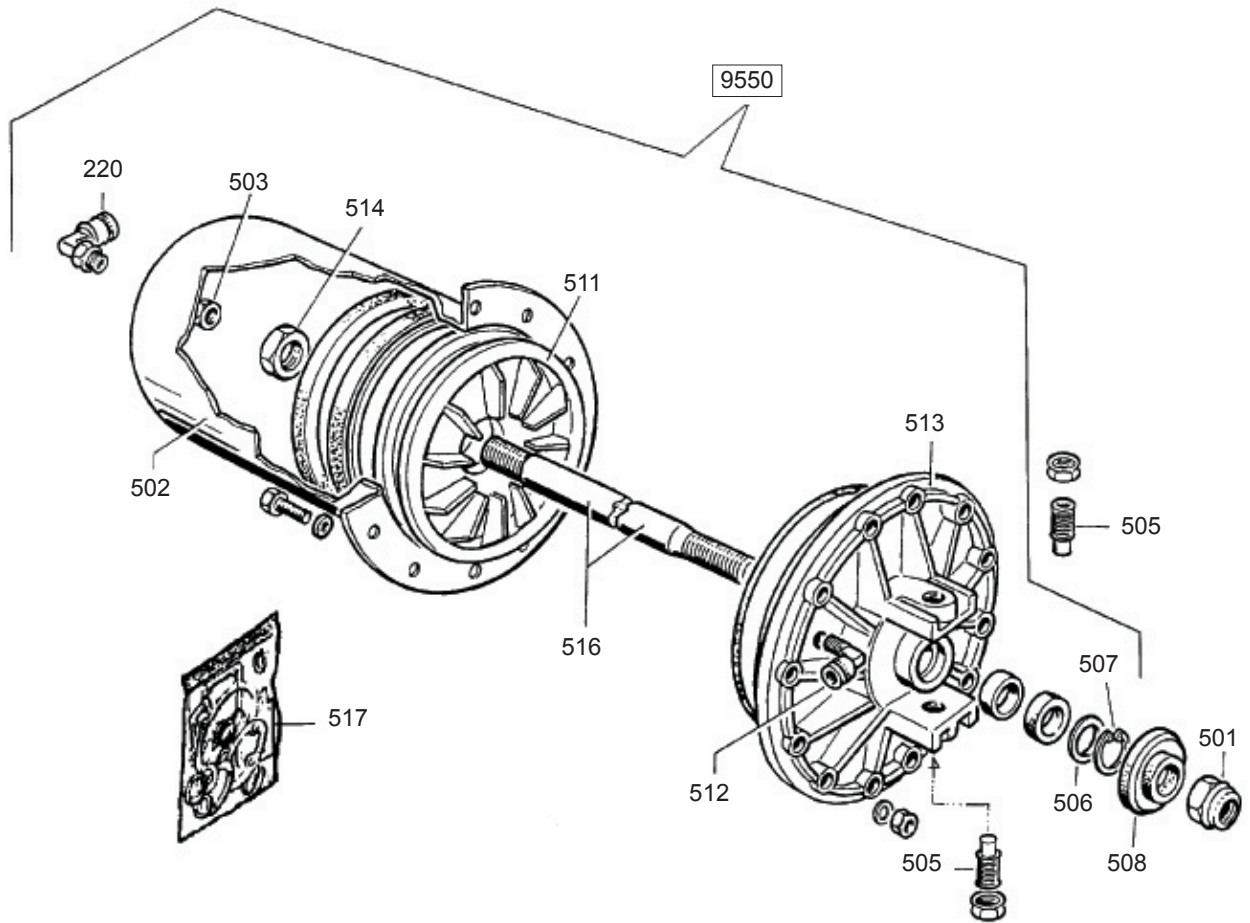


9400	900241201	PEDALIERA	CONTROL PEDAL	PEDALERIE	GR.PEDALES
0401	900325031	PEDALE	PEDAL	PEDAL	PEDALE
0402	900325032	PEDALE	PEDAL	PEDAL	PEDALE
0403	900425014	BIELLA	TRACE	PLEUELSTANGE	BIELLE
0404	900325019	BALESTRA	LEAF SPRING	BLATTFEDER	RESSORT A LAMES
0405	900425020	CAMMA	CAM	NOCKEN	CAME
0406	900325018	CAVALLOTTO	U-BOLT	BUEGELBOLZEN	CRAMPILLON
0407	900410628	MOLLA	SPRING	FEDER	RESSORT
0408	900325050	DISTANZIALE	SPACER	ABSTANDSSTUECK	ENTRETOISE
0409	900428682	MOLLA	SPRING	FEDER	RESSORT
0410	900325583	PERNO	PIN	ZAPFEN	PIVOT
0411	900404283	LEVA	LEVER	HEBEL	LEVIER
0412	900429009	BIELLA	TRACE	PLEUELSTANGE	BIELLE
0413	900334758	SUPPORTO	SUPPORT	LAGER	SUPPORT
0414	900252010	PEDALE	PEDAL	PEDAL	PEDALE
0415	900253298	RUBINETTO	VALVE	HAHN	ROBINET
0416	900422682	SILENZIATORE	SILENCER	SCHALLDAEMPFER	SILENCIEUX



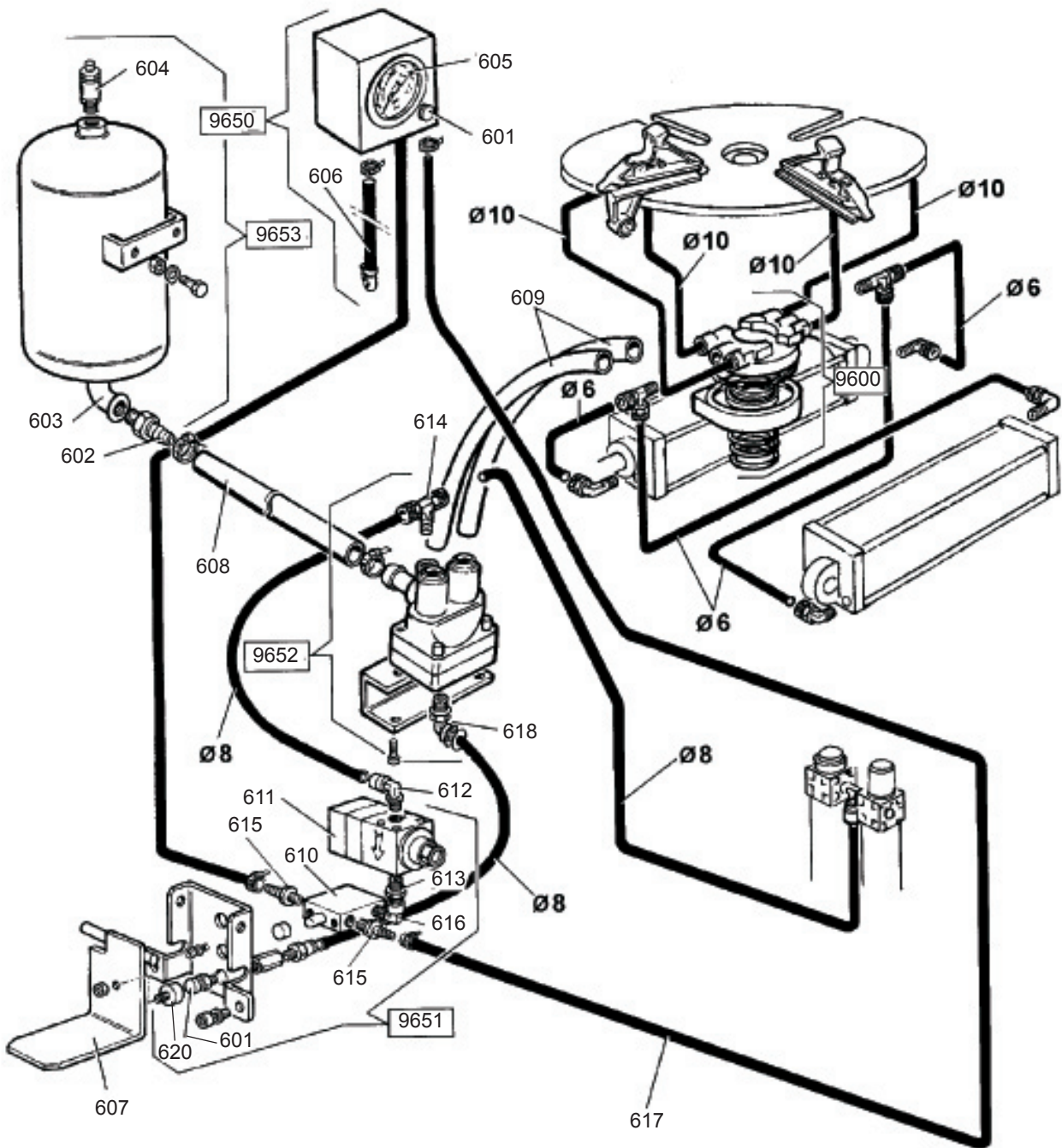
9500	900231706	CILINDRO STALL.	CYLINDER	ZYLINDER	CYLINDRE
0220	9003-00050	RACCORDO	CONNECTION	ANSCHL	RACCORD
0502	900330190	CILINDRO	CYLINDER	ZYLINDER	CYLINDRE
0503	900333524	DADO	NUT	MUTTER	ECROU
0504	900332700	STELO	STEM	SCHAFT	TIGE
0505	900431864	VITE	SCREW	SCHRAUBE	VIS
0506	900325561	RONDELLA	WASHER	UNTERLEGSCH	RONDELLE
0507	900434031	ANELLO	RING	RING	ANNEAU
0511	900337848	PISTONE	PISTON	KOLBEN	PISTON
0512	900451926	RACCORDO	CONNECTOR	ANSCHLUSS	RACCORD
0513	900351905	FLANGIA	FLANGE	FLANSCH	FLASQUE
0514	900600989	DADO	NUT	MUTTER	ECROU

0509	900281277	KIT GUARNIZIONI CILINDRO STALL.		CYLINDER SEAL KIT	
0501	900601242	DADO	NUT	MUTTER	ECROU
0508	900424096	TAMPONE	PAD	PUFFER	TAMPON

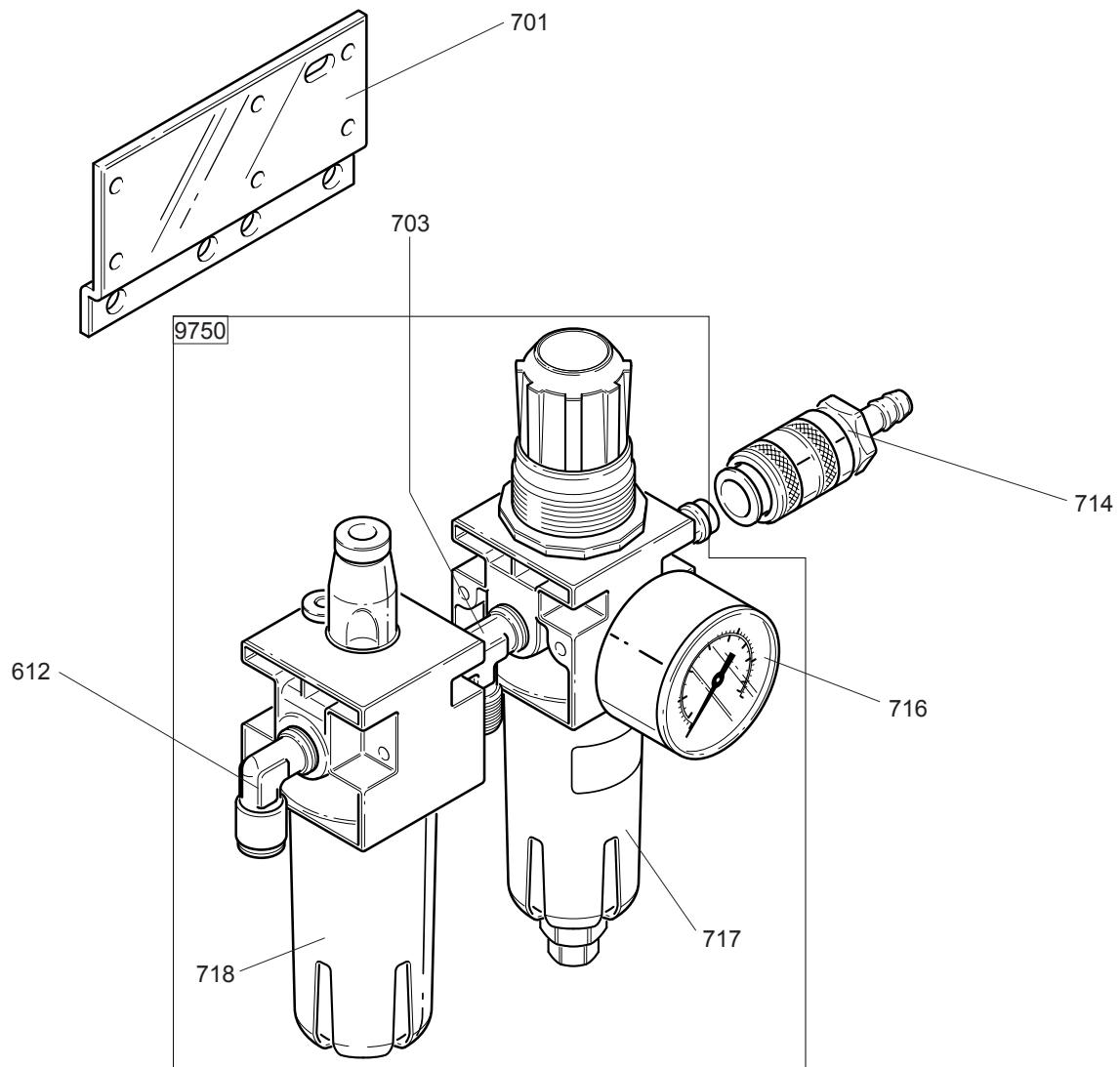


9550	900243505	CILINDRO STALL.	CYLINDER	ZYLINDER	CYLINDRE
0220	9003-00050	RACCORDO	CONNECTION	ANSCHLUSSE	RACCORD
0502	900330190	CILINDRO	CYLINDER	ZYLINDER	CYLINDRE
0503	900333524	DADO	NUT	MUTTER	ECROU
0505	900431864	VITE	SCREW	SCHRAUBE	VIS
0506	900325561	RONDELLA	WASHER	UNTERLEGSSCHEIBE	RONDELLE
0507	900434031	ANELLO	RING	RING	ANNEAU
0511	900337848	PISTONE	PISTON	KOLBEN	PISTON
0512	900451926	RACCORDO	CONNECTOR	ANSCHLUSS	RACCORD
0513	900351905	FLANGIA	FLANGE	FLANSCH	FLASQUE
0514	900600989	DADO	NUT	MUTTER	ECROU
0516	900343332	STELO	STEM	SCHAFT	TIGE

0501	900601242	DADO	NUT	MUTTER	ECROU
0508	900424096	TAMPONE	PAD	PUFFER	TAMPON
0517	900238212	KIT GUARNIZIONI	SEALS KIT	DICHTUNGSATZ	KIT JOINTS

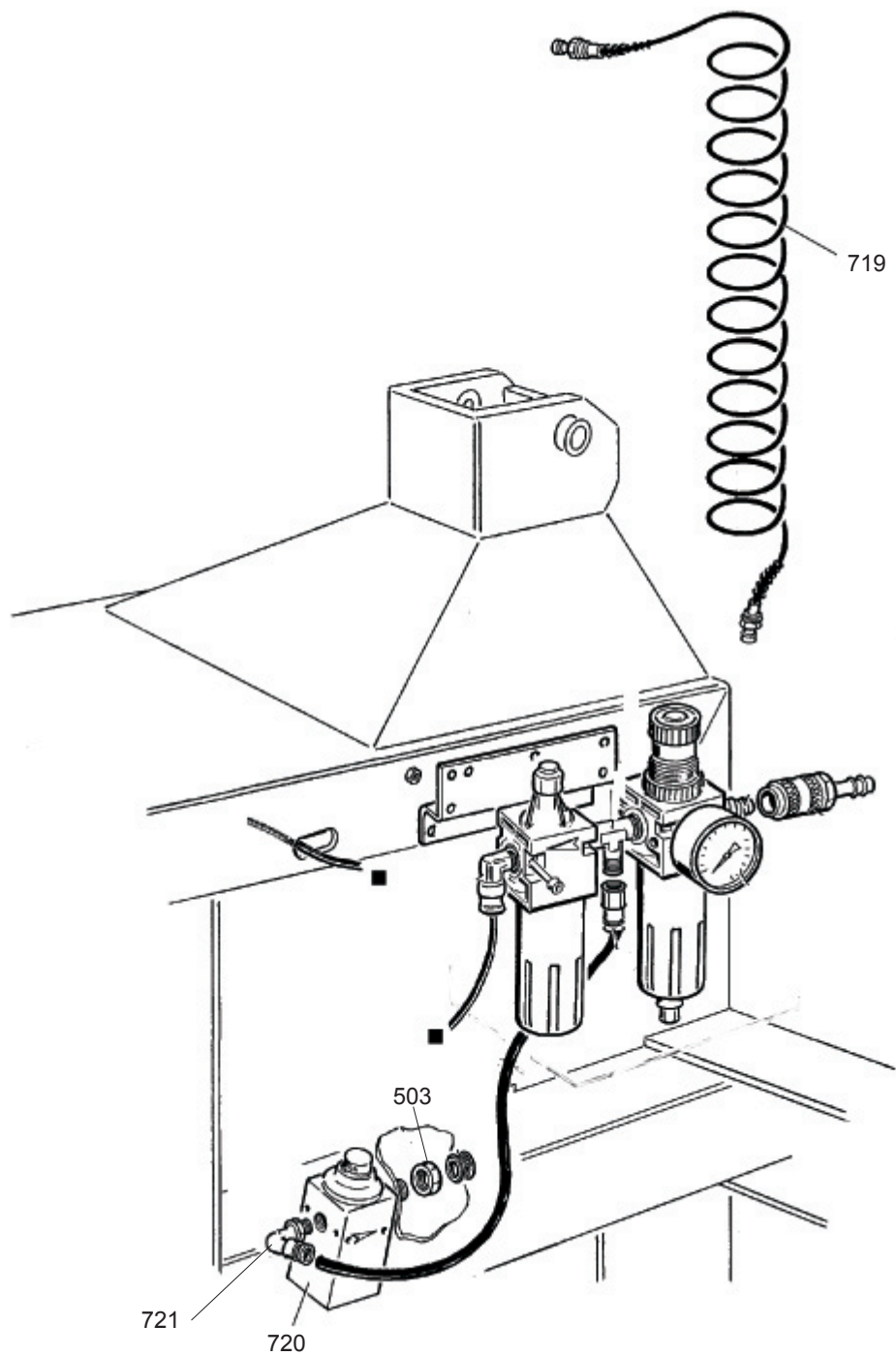


9600	900241841	RACCORDO GIREVOLE FS		FS REVOLVING UNION	
9650	900252599	SCATOLA	BOX	SCHACHTEL	BOITE
0601	900235463	VALVOLA	VALVE	VENTIL	VANNE
0605	900437831	MANOMETRO	PRESSURE GAUGE	DRUCKMESSER	MANOMETRE
0606	900235462	TUBO	PIPE	ROHR	TUYAU
9651	900252568	GR.GONFIAGGIO	INFLATIOUN UNIT	GRUPPE	GROUPE
0601	900235463	VALVOLA	VALVE	VENTIL	VANNE
0610	900452564	VALVOLA	VALVE	VENTIL	VANNE
0611	900452553	VALVOLA	VALVE	VENTIL	VANNE
0612	900450406	RACCORDO	CONNECTOR	ANSCHLUSS	RACCORD
0613	900418252	NIPPLO	CONNECTION	NIPPEL	NIPPLE
0615	900421137	INNESTO	CLUTCH	KUPPLUNG	EMBRAYAGE
0616	900441609	RACCORDO	CONNECTOR	ANSCHLUSS	RACCORD
0620	900352619	CAPPELLOTTO	CAP NUT	ABSCHLUSSKAPPE	CAPUCHON
9652	900241124	VALVOLA	VALVE	VENTIL	VANNE
0614	9004-402799	RACCORDO	CONNECTOR	ANSCHLUSS	RACCORD
0618	9004-402798	RACCORDO	CONNECTOR	ANSCHLUSS	RACCORD
9653	900240968	SERBATOIO	TANK	TANK	RESERVOIR
0602	900337704	RACCORDO	CONNECTOR	ANSCHLUSS	RACCORD
0603	900438995	RACCORDO	CONNECTOR	ANSCHLUSS	RACCORD
0604	900435077	VALVOLA	VALVE	VENTIL	VANNE
0612	900450406	RACCORDO	CONNECTOR	ANSCHLUSS	RACCORD
0607	900252625	PEDALE	PEDAL	PEDAL	PEDALE
0608	900343493	TUBO	PIPE	ROHR	TUYAU
0609	900341156	TUBO	PIPE	ROHR	TUYAU
0617	900352614	TUBO	PIPE	ROHR	TUYAU
ø 6	900701684	TUBO	TUBE	TUBE	SCHLAUCH
ø 8	900701683	TUBO	TUBE	TUBE	SCHLAUCH
ø 10	900704223	TUBO	TUBE	TUBE	SCHLAUCH

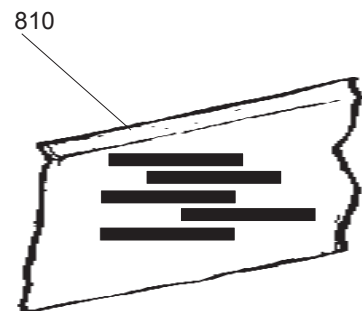
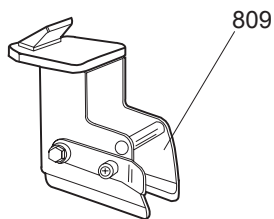
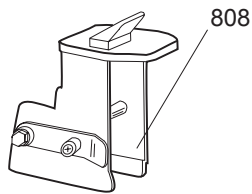
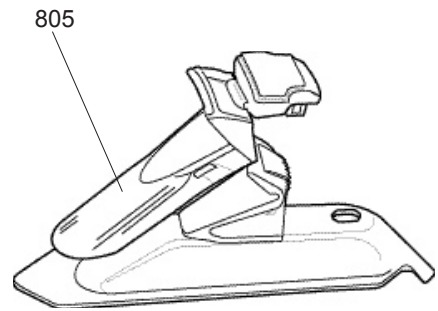
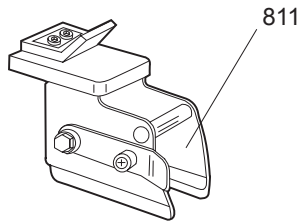
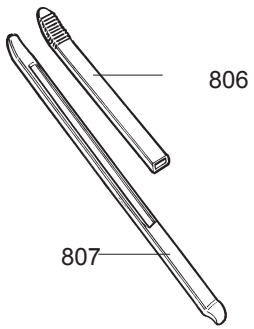
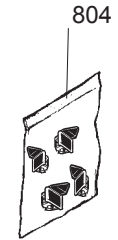
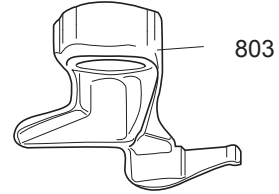
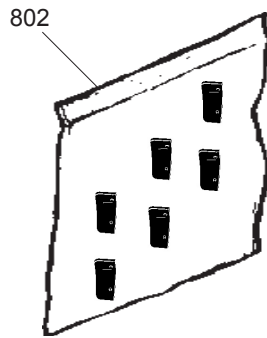
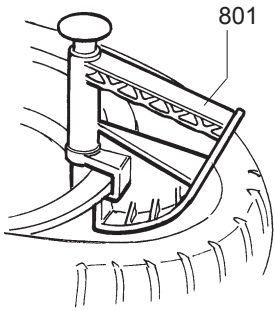


9750	900456522	FILTRO	FILTER	FILTER	FILTRE
0717	900457512	BICCHIERE	BOWL	GLAS	BOL
0718	900457511	BICCHIERE	BOWL	GLAS	BOL

0612	900450406	RACCORDO	CONNECTOR	ANSCHLUSS	RACCORD
0701	900335695	STAFFA	BRACKET	KLAUE	ETRIER
0703	900433873	RACCORDO	CONNECTOR	ANSCHLUSS	RACCORD
0714	900441899	GIUNTO	COUPLING	KUPPLUNG	ACCOUPLMENT
0716	900434818	MANOMETRO	PRESSURE GAUGE	DRUCKMESSER	MANOMETRE



0719	900480197	TUBO SPIRALATO	TUBE	SCHLAUCH	TUBE
0720	900452553	LIMITATORE PRESSIONE 4.2 BAR	PRESSURE LIMITER 4.2 BAR	ANSCHLUSS	RACCORD
0721	900446939	RACCORDO	UNION	MUTTER	ECROU
0503	900333524	DADO	NUT		



0801	801435685	PINZA	PLIERS	ZANGE	PINCE
0802	801258383	PROTEZIONE	SHIELD		
0803	801252083	KIT TORRETTA 8"	8" HEAD KIT		
0804	801254341	PROTEZIONE	SHIELD		
0805	9002200573	INSERTO	INSERT		
0806	801246241	PROTEZIONE	SHIELD		
0807	900444288	LEVA	LEVER		
0808	8-11100042	KIT n° 4 ADATTATORI 8"		8" ADAPTORS KIT	
0809	8-11100036	KIT n° 4 ADATTATORI MOTO 15"-23"		15"-23" MOTORCYCLE ADAPTORS KIT	
0810	801258898	INSERTO	INSERT		
0811	8-11100041	ATTACCO 16"-24"	16"-24" ADAPTOR		

A large rectangular area containing 20 horizontal dotted lines, spaced evenly down the page, intended for writing or drawing.

A large rectangular area containing 20 horizontal dotted lines, spaced evenly down the page, intended for writing or drawing.

SIMPESFAIP S.p.A.

Sede Legale: Via San Martino 3/A - 42015 Correggio (RE) Italy

Uffici e Stabilimento: Via della Repubblica, 7 - 41011 Campogalliano (MO) Italy - Tel. 059/899911 - Fax 059/527698

Stabilimento: Via M. D'Antona, 5 - 10040 Rivalta (TO) Italy - Tel. 011/9036611 - Fax 011/9032607

www.simpesfaip.it - e-mail: info@simpesfaip.it