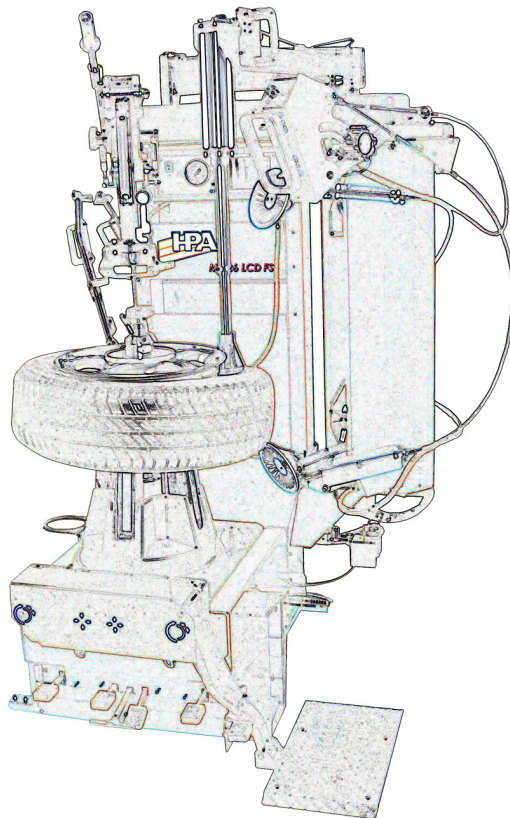


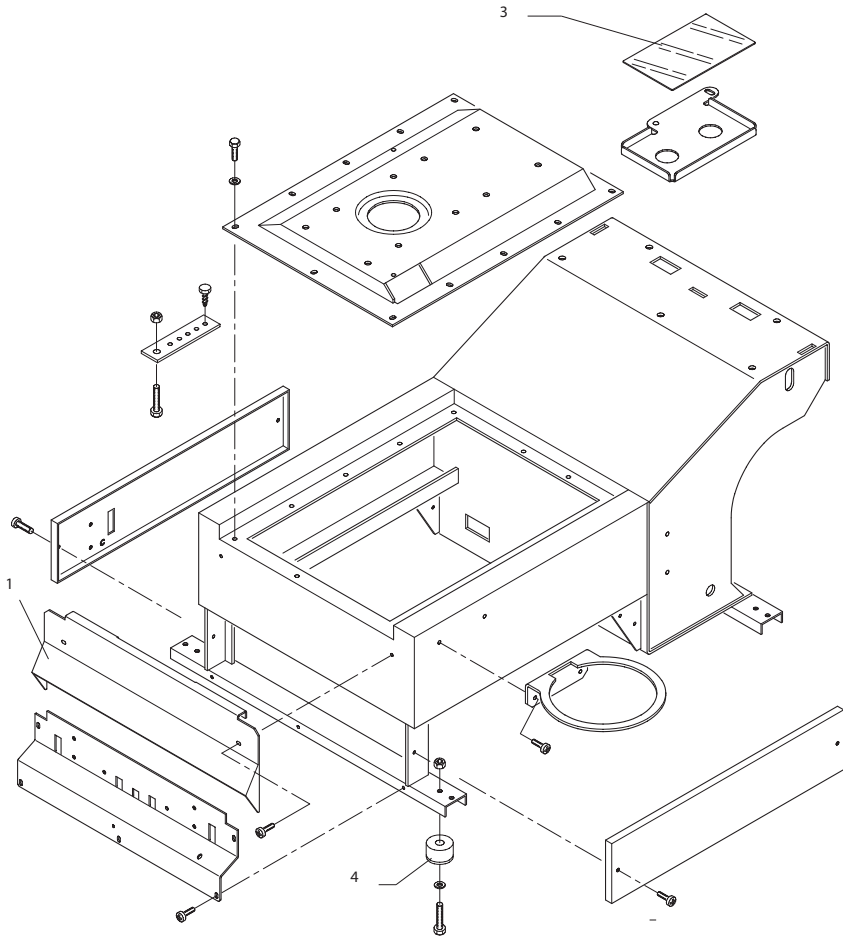
M 926 2V M 926 2V LCD

*Pezzi di ricambio
Spare Parts List
Ersatzteilliste
Pieces De Rechange*

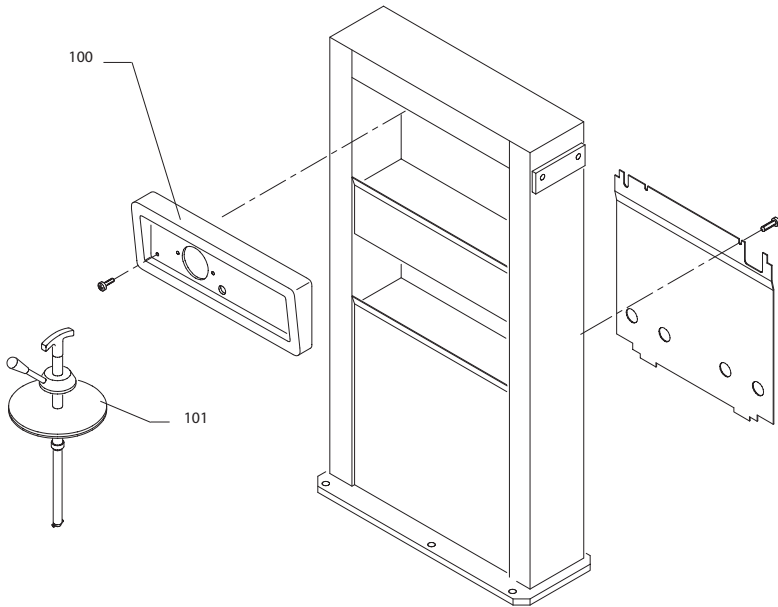
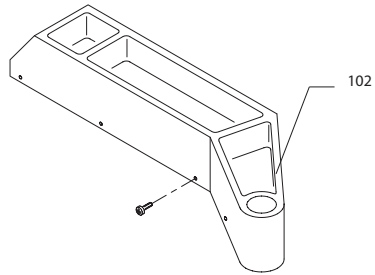


Code
4-327763B

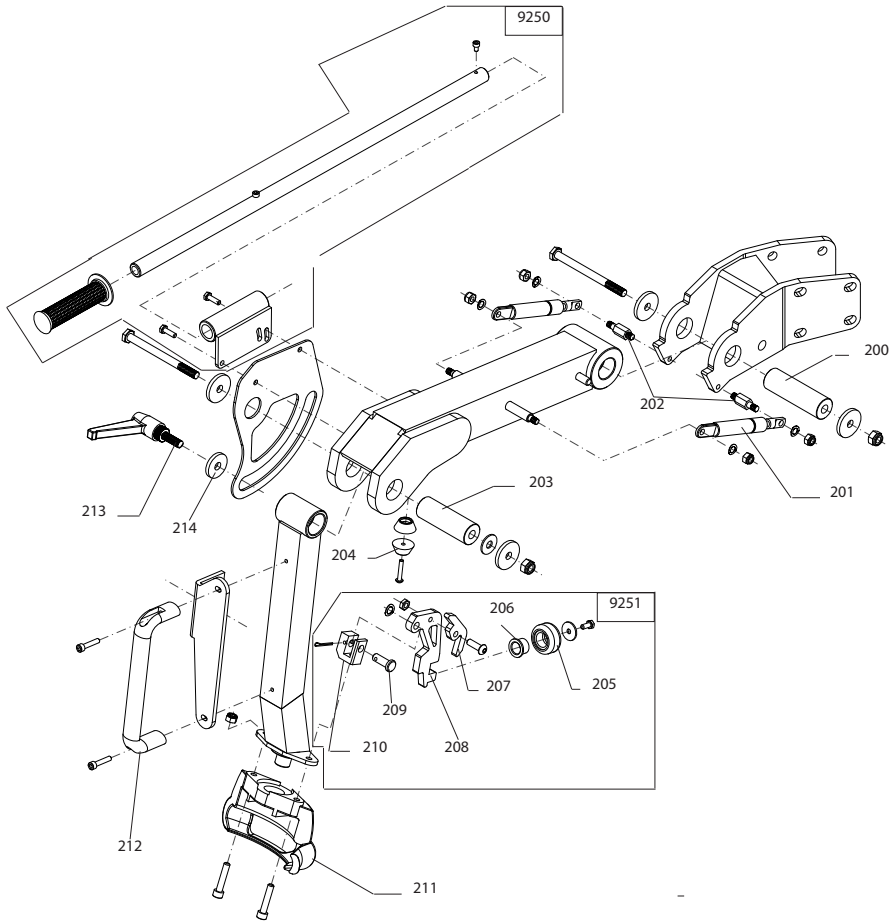
Production from
03 / 2007



0001	9004-325956	PROTEZIONE	SHIELD	ABDECKUNG	PROTECTION
0003	9004-326099	SPECCHIO	MIRROR	SPIEGEL	MIROIR
0004	90035011564	PIEDE	FOOT	FUSS	PIED



0100	90035023110	PANNELLO	PANEL	VERKLEIDUNG	PANNEAU
0100	9004-326151	PANNELLO LCD	LCD PANEL	VERKLEIDUNG	PANNEAU
0101	9005-300105	DISPOSIT.DI COMANDO	CONTROL DEVICE	STEUERGERAET	DISPOSITIF DE COMM.
0102	9004-326042	COPERCHIO	LID	DECKEL	COUVERCLE





M 926 2V
M 926 2V LCD

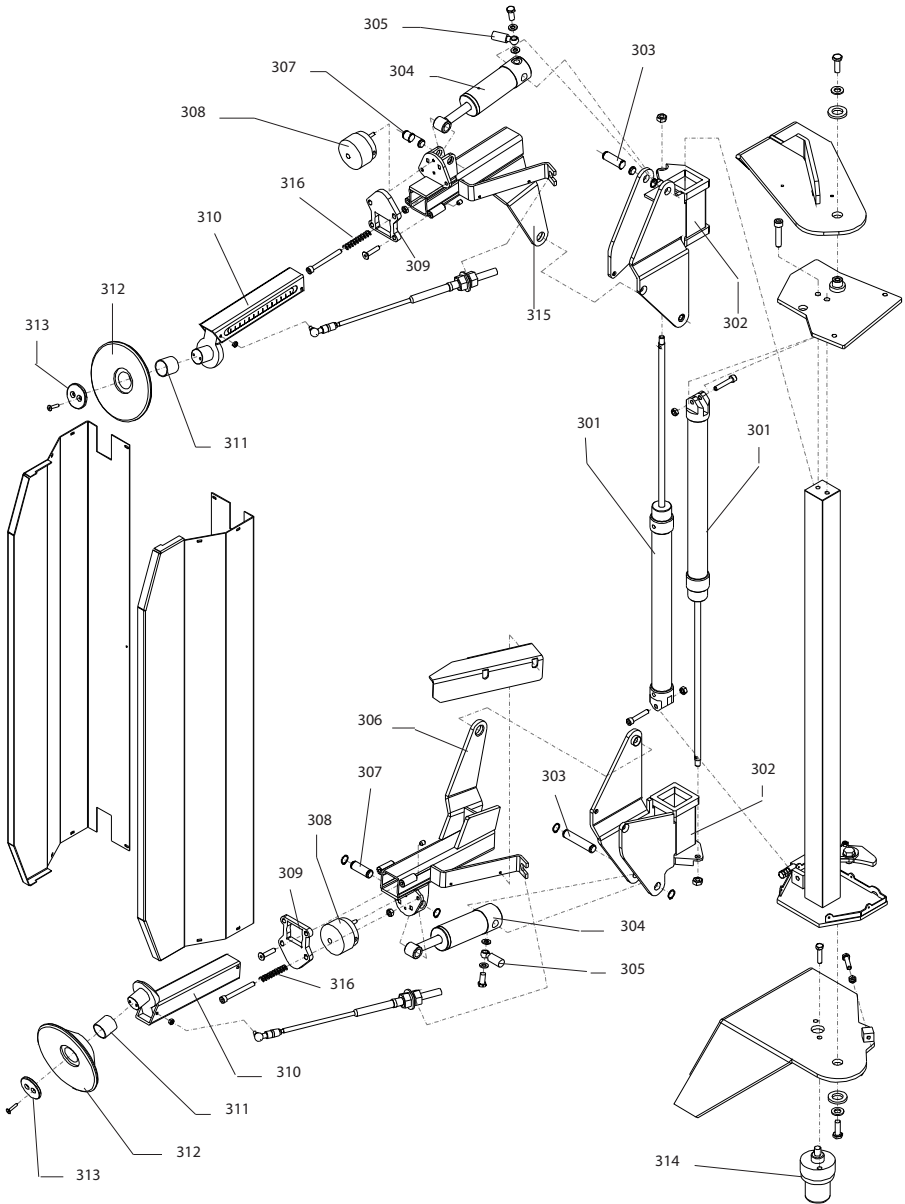
C

03 / 07

Braccio utensile



9250	9005-300418	LEVA	LEVER	HEBEL	LEVIER
9251	9005-300322	GRUPPO	ASSEMBLY	GRUPPE	GROUPE
0205	90035021644	RUOTA	WHEEL	RAD	ROUE
0206	90033021643	BOCCOLA	BUSHING	LAGER	DOUILLE
0207	90034019122	PULSANTE	BUTTON	DRUCKKNOPF	BOUTON
0208	90034021642	LEVA	LEVER	HEBEL	LEVIER
0209	90081490010	PERNO	PIN	ZAPFEN	PIVOT
0210	90034023279	FORCELLA	FORK	GABEL	FOURCHE
0200	90033023122	PERNO	PIN	ZAPFEN	PIVOT
0201	90032024003	MOLLA	SPRING	FEDER	RESSORT
0202	9004-325631	PERNO	PIN	ZAPFEN	PIVOT
0203	90033023123	PERNO	PIN	ZAPFEN	PIVOT
0204	90084990178	PIEDE	FOOT	FUSS	PIED
0211	8-11300024	UTENSILE	TOOL	GABEL	FOURCHE
0212	90087227216	MANIGLIA	HANDLE	HANDGRIFF	POIGNEE
0213	9003-02066	MANIGLIA	HANDLE	HANDGRIFF	POIGNEE
0214	900317337	RONDELLA	WASHER	UNTERLEGSCHIEBE	RONDELLE





M 926 2V
M 926 2V LCD

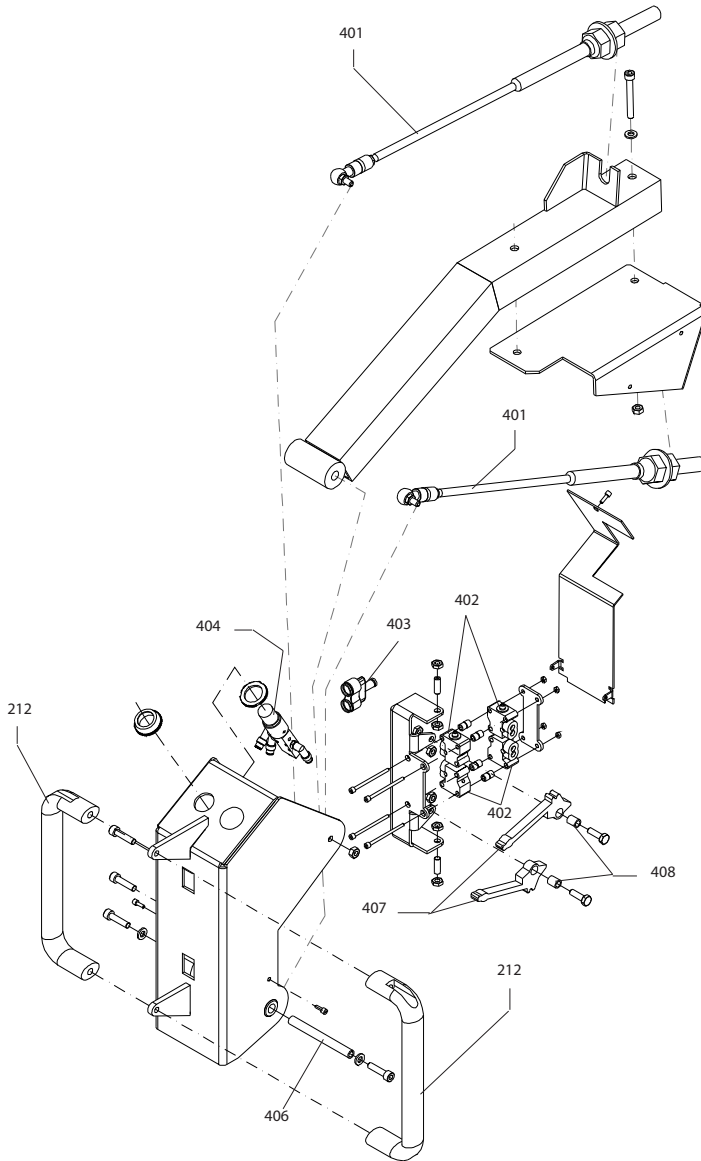
D

03 / 07

Stallonatore



0301	9004-326084	CILINDRO	CYLINDER	ZYLINDER	CYLINDRE
0302	9004-328755	CARRELLO	TROLLEY	WAGEN	CHARIOT
0303	90034023015	PERNO	PIN	ZAPFEN	PIVOT
0304	90032024315	CILINDRO	CYLINDER	ZYLINDER	CYLINDRE
0305	90035024148	TUBO	PIPE	ROHR	TUYAU
0306	9004-328753	BRACCIO	ARM	ARM	BRAS
0307	90034023016	PERNO	PIN	ZAPFEN	PIVOT
0308	9005-300654	CILINDRO	CYLINDER	ZYLINDER	CYLINDRE
0309	9004-328754	BLOCCAGGIO	LOCKING	SPERRE	BLOCAGE
0310	9004-328129	BRACCIO	ARM	ARM	BRAS
0311	900455210	BOCCOLA	BUSHING	LAGER	DOUILLE
0312	90035023017	RULLO	ROLLER	WALZE	ROULEAU
0313	90034024028	RONDELLA	WASHER	UNTERLEGSCHIEBE	RONDELLE
0314	9004-325745	CILINDRO	CYLINDER	ZYLINDER	CYLINDRE
0315	9004-328747	BRACCIO	ARM	ARM	BRAS
0316	90033009297	MOLLA	SPRING	FEDER	RESSORT





M 926 2V
M 926 2V LCD

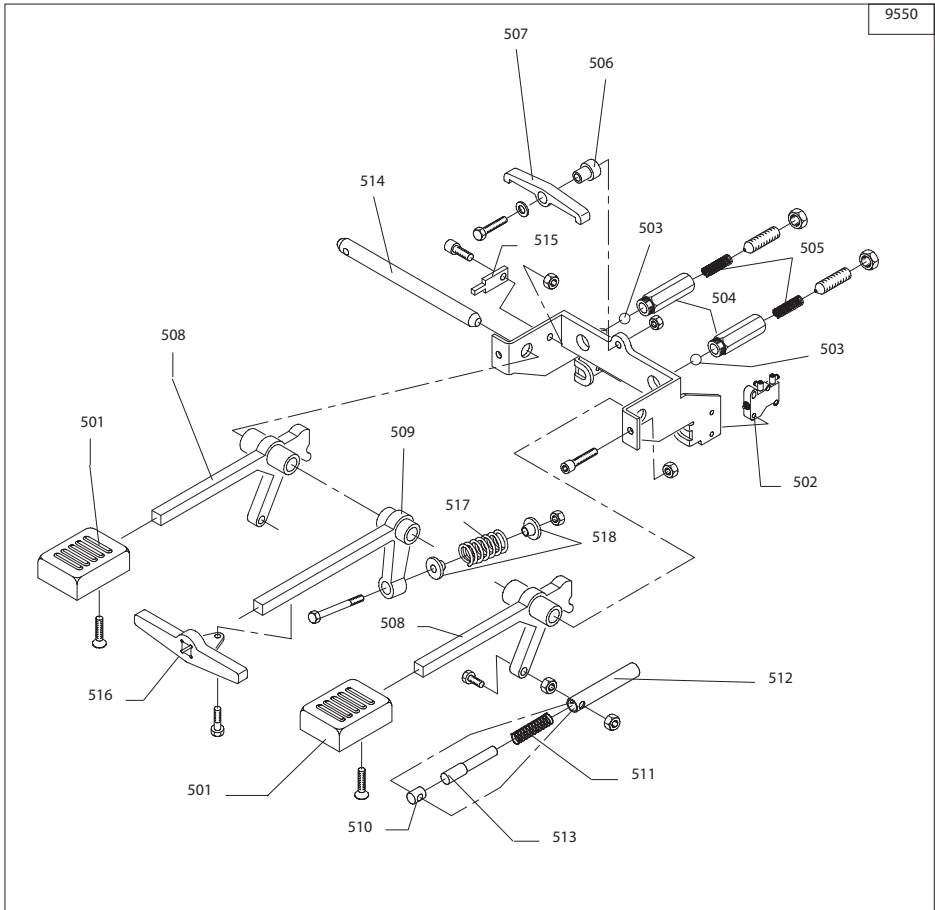
E

03 / 07

Braccio comandi



0212	90087227216	MANIGLIA	HANDLE	HANDGRIFF	POIGNEE
0401	90032022699	CAVO	CABLE	KABEL	CABLE
0402	9003-01144	VALVOLA PNEUM.	PNEUM.VALVE	PNEUM.VENTILE	PANNE PNEUMATIQUE
0403	9003-00238	RACCORDO	CONNECTION	PNEUM.ANSCHE.	RACCORD
0404	9003-01880	VALVOLA PNEUM.	PNEUMATIC VALVE	PNEUM.VENTILE	PANNE PNEUMATIQUE
0406	90034023033	PERNO	PIN	ZAPFEN	PIVOT
0407	90034024285	LEVA	LEVER	HEBEL	LEVIER
0408	90033024286	PERNO	PIN	ZAPFEN	PIVOT





M 926 2V
M 926 2V LCD

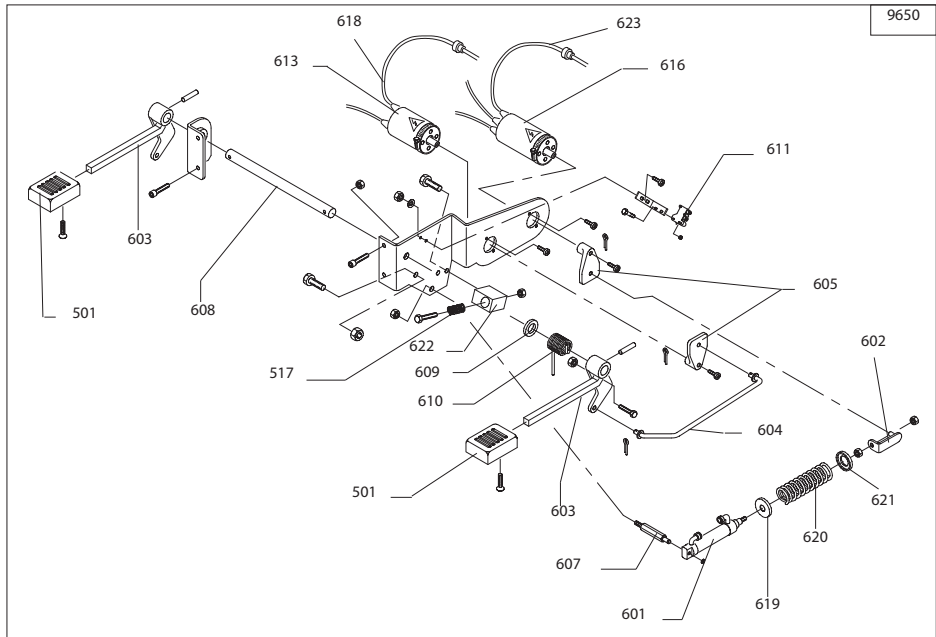
F

03 / 07

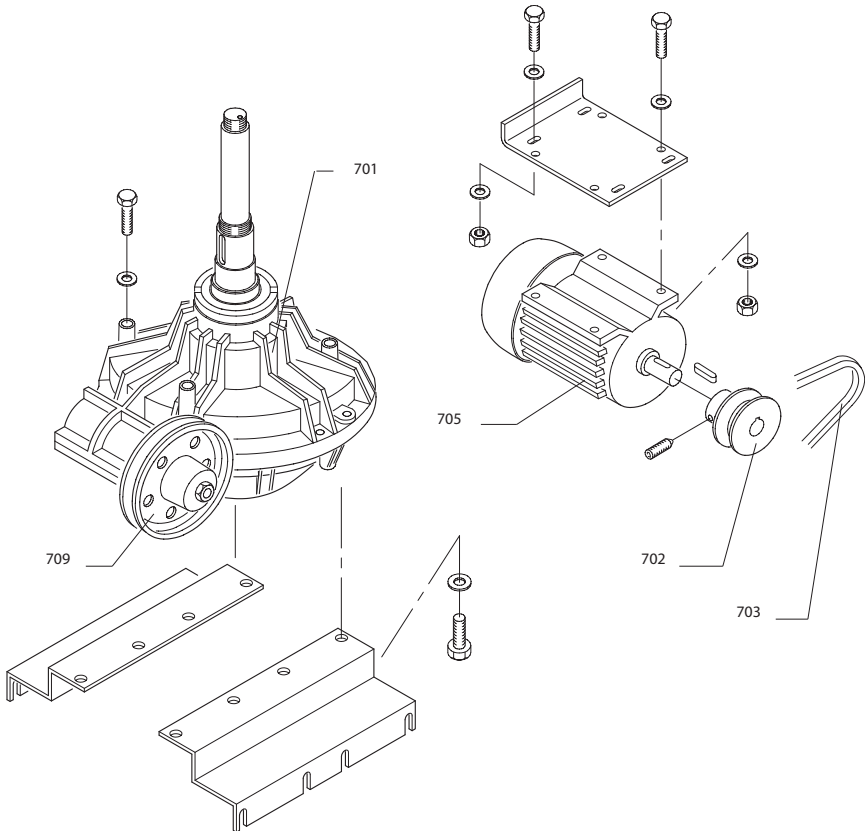
Pedaliere Morsa



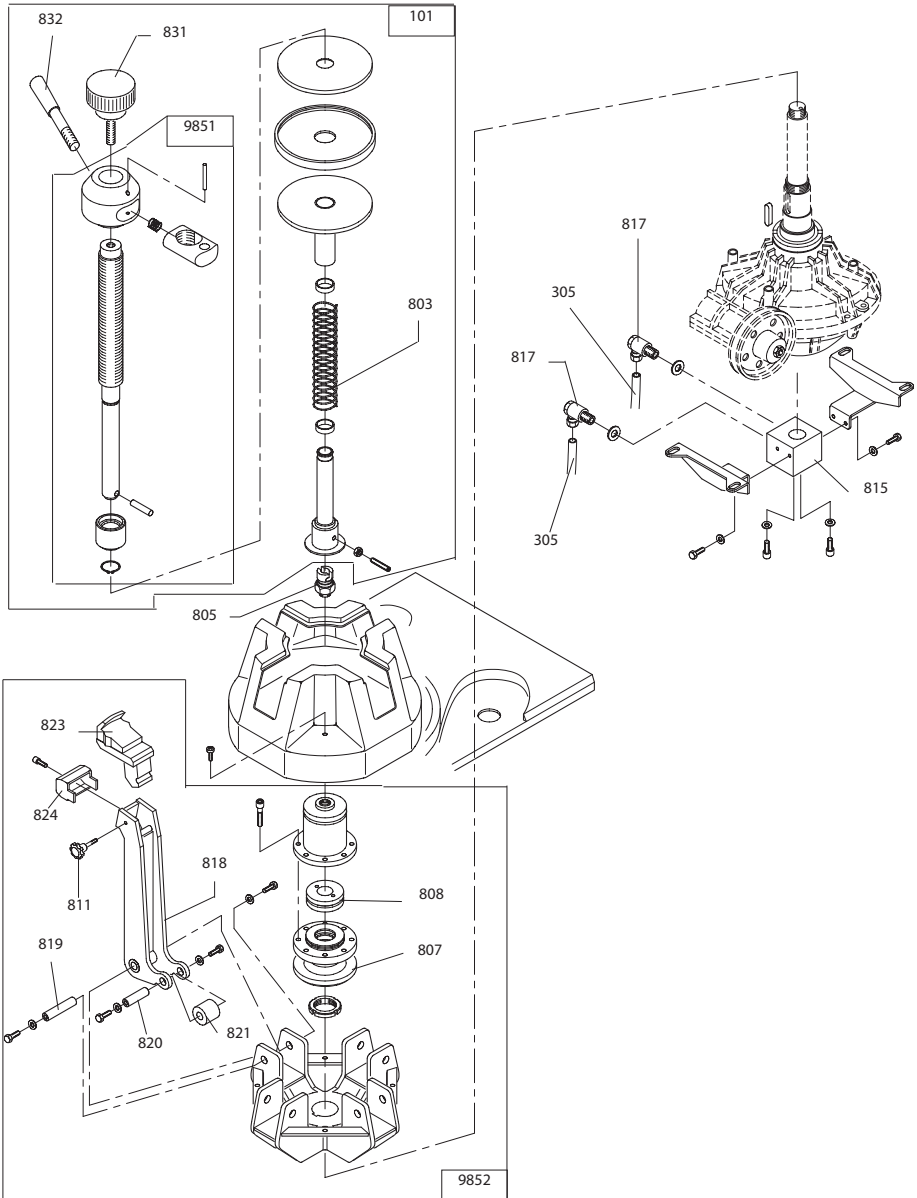
9550	9005-300139	GR.PEDALIERA	CONTROL PEDAL	PEDALERIE	GR.PEDALES
0501	90035022158	PEDALE	PEDAL	PEDAL	PEDALE
0502	90031100364	VALVOLA	VALVE	VENTIL	VANNE
0503	900601107	SFERA	BALL	KUGEL	BILLE
0504	90034022958	COLONNETTA	STUD	SCHRAUBENBOLZEN	COLONNETTE
0505	90033013318	MOLLA	SPRING	FEDER	RESSORT
0506	90033024534	BOCCOLA	BUSHING	LAGER	DOUILLE
0507	90034024531	BILANCIERE	COMPENSATOR	KIPPHEBEL	BALANCIER
0508	90034024519	PEDALE	PEDAL	PEDAL	PEDALE
0509	90034024526	PEDALE	PEDAL	PEDAL	PEDALE
0510	90033024522	TAPPO	PLUG	STOPFEN	BOUCHON
0511	90033024626	MOLLA	SPRING	FEDER	RESSORT
0513	90033024535	ASTA	SHAFT	STANGE	BARRE
0514	90033024530	PERNO	PIN	ZAPFEN	PIVOT
0515	90034024571	PERNO	PIN	ZAPFEN	PIVOT
0516	90034022964	TRAVERSA	CROSSRAIL	QUERTRAEGER	TRAVERSE
0517	90033008585	MOLLA	SPRING	FEDER	RESSORT
0518	90033024529	RONDELLA	WASHER	UNTERLEGSCHIEBE	RONDELLE



9650	9005-300099	GR.PEDALIERA 2V	CONTROL PEDAL	PEDALERIE	GR.PEDALES
0501	90035022158	PEDALE	PEDAL	PEDAL	PEDALE
0517	90033008585	MOLLA	SPRING	FEDER	RESSORT
0601	90031500104	CILINDRO	CYLINDER	ZYLINDER	CYLINDRE
0602	90036023335	FORCELLA	FORK	GABEL	FOURCHE
0603	90036023265	PEDALE	PEDAL	PEDAL	PEDALE
0604	90036023294	BIELLA	TRACE	PLEUELSTANGE	BIELLE
0605	90035008588	SNODO	JOINT	GELENK	ARTICULATION
0607	90033024728	PERNO	PIN	ZAPFEN	PIVOT
0608	9004-325505	PERNO	PIN	ZAPFEN	PIVOT
0609	90033011330	DISTANZIALE	SPACER	ABSTANDSSTUECK	ENTRETOISE
0610	90034012317	MOLLA	SPRING	FEDER	RESSORT
0611	9003-01360	VALVOLA	VALVE	VENTIL	VANNE
0613	900435363	INVERTITORE	REVERSER	RICHTUNGSWENDER	INVERSEUR
0616	9005-300448	DEVIATORE	SHUNT		
0618	90032024322	CAVO INVERTITORE	CABLE	KABEL	CABLE
0620	90033022690	MOLLA	SPRING	FEDER	RESSORT
0621	90035024932	GUIDA	GUIDE	FUEHRUNG	GLISSIERE
0622	90033024730	FERMO	RETAINER	ANSCHLAG	ARRET
0623	90032017440	CAVO ALIM.MOTORE	CABLE	KABEL	CABLE



0701	90032025048	RIDUTTORE	GEAR BOX	GETRIEBE	REDUCTEUR
0702	90033012576	PULEGGIA 50Hz	PULLEY	RIEMENSCHLEIBE	POULIE
0702	90033019200	PULEGGIA 60Hz	PULLEY	RIEMENSCHLEIBE	POULIE
0703	9003-00600	CINGHIA 50Hz	BELT	RIEMEN	COURROIE
0703	9003-80133	CINGHIA 60Hz	BELT	RIEMEN	COURROIE
0705	9003-01121	MOTORE EL.220-3-50/60Hz 2V		ELECTRIC MOTOR	
0705	9003-01120	MOTORE EL.400-3-50/60Hz 2V		ELECTRIC MOTOR	
0709	900414344	PULEGGIA	PULLEY	RIEMENSCHLEIBE	POULIE





M 926 2V
M 926 2V LCD

I

03 / 07

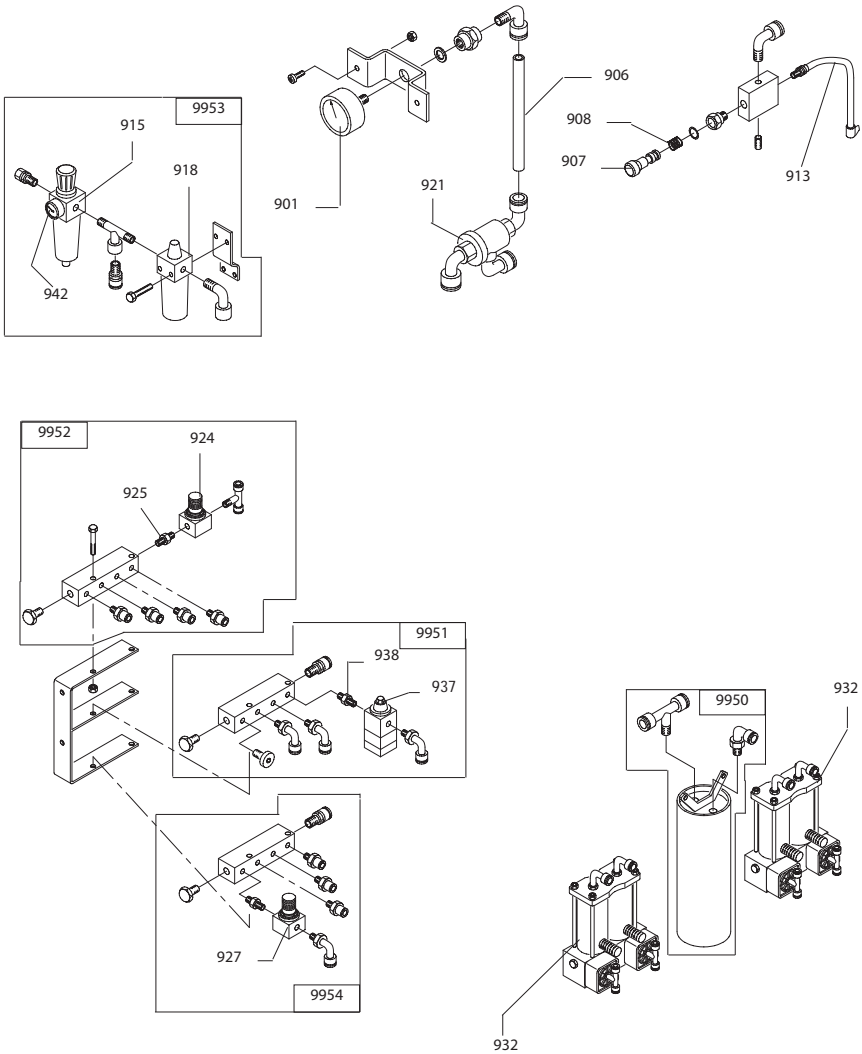
Morsa



0101	9005-300105	DISPOSIT.DI COMANDO	CONTROL DEVICE	STEUERGERAET	DISPOSITIF DE COMM.
0803	9004-325978	MOLLA	SPRING	FEDER	RESSORT
0831	90087234521	MANOPOLA	KNOB	BALLENGRIFF	BOUTONE
0832	90087221102	MANIGLIA	HANDLE	HANDGRIFF	POIGNEE
9851	9005-300123	KIT TIRANTE	TRANSFORMATION KIT		

9852	9005-300103	MORSA	CHUCK	SCHRAUBSTOCK	ETAU
0807	90031100340	PIATTELLO	PLATE	TELLERSCHEIBE	COUPELLE
0808	90031100339	PISTONE	PISTON	KOLBEN	PISTON
0811	9004-328523	POMOLO	KNOB	BALLENGRIFF	POMMEAU
0818	9004-326025	BRACCIO	ARM	ARM	BRAS
0819	90033023068	PERNO	PIN	ZAPFEN	PIVOT
0820	90033023067	PERNO	PIN	ZAPFEN	PIVOT
0821	90033023066	RULLO	ROLLER	WALZE	ROULEAU
0823	90032023063	SUPPORTO	SUPPORT	LAGER	SUPPORT
0824	90036022446	TAMPONE	PAD	PUFFER	TAMPON

0305	90035024148	TUBO	PIPE	ROHR	TUYAU
0805	9004-325972	DADO	NUT	MUTTER	ECROU
0815	90031100341	UNITA' DI POTENZA	POWER UNIT	LEISTUNGSEINHEIT	UNITE DE PUISSANCE
0817	90086200060	RACCORDO	OLEODYN. CONNECT.	OELHYDR.ANSC	RACC. OLEODYN.





M 926 2V
M 926 2V LCD

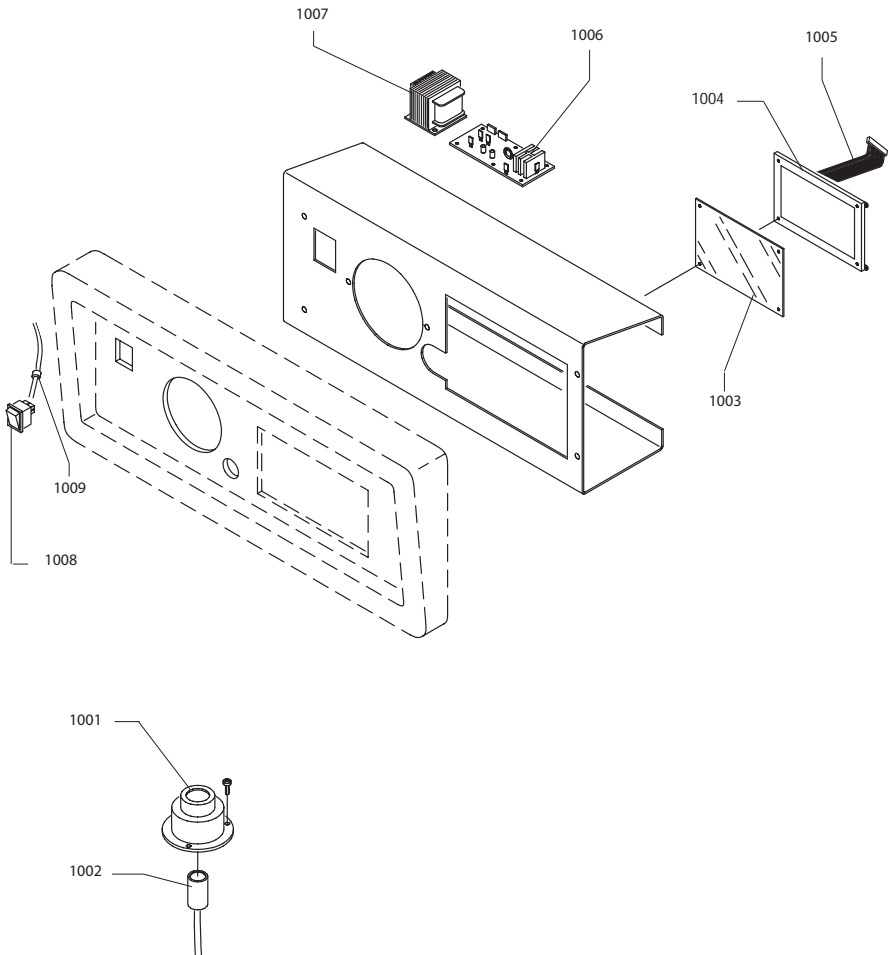
L

03 / 07

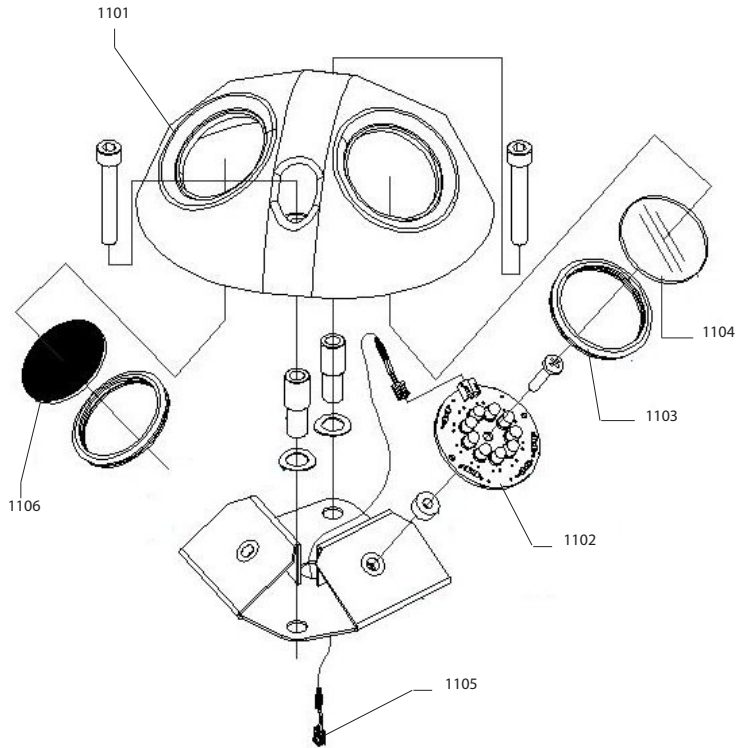
Impianto pneumatico



9950	90031400002	SERBATOIO	TANK		
9951	9005-300243	KIT DISTRIBUTORE 4,2 bar	DISTRIBUTOR		
0937	90085100074	VALVOLA	VALVE	VENTIL	VANNE
9952	9005-300242	KIT DISTRIBUTORE 6 bar	DISTRIBUTOR		
0924	9003-01145	REGOLATORE 6 BAR		REGULATOR	
0925	9003-00299	RACCORDO	CONNECTION	PNEUM.NSCHE.	RACCORD
9953	90031500100	GR.FILTRO		FILTER GROUP	
0915	9003-00346	FILTRO	FILTER		
0918	9003-00348	LUBRIFICATORE	LUBRIFICATOR		
0942	900455305	MANOMETRO	PRESSURE GAUGE	DRUCKMESSER	MANOMETRE
9954	9005-300244	KIT DISTRIBUTORE 1,5 bar	DISTRIBUTOR		
0927	90085100090	REGOLATORE	REGULATOR	REGLER	REGULATEUR
0901	90085100064	MANOMETRO	PRESSURE GAUGE	DRUCKMESSER	MANOMETRE
0906	90085300604	TUBO	PIPE	ROHR	TUYAU
0907	90033015477	PULSANTE	BUTTON	DRUCKKNOPF	BOUTON
0908	90033009805	MOLLA	SPRING	FEDER	RESSORT
0913	90085100038	TUBO	PIPE	ROHR	TUYAU
0921	90031500102	VALVOLA	VALVE	VENTIL	VANNE
0932	90032022315	UNITA' DI POTENZA	POWER UNIT	LEISTUNGSEINHEIT	UNITE DE PUISSANCE
0938	900419142	NIPPLO	CONNECTION	NIPPEL	NIPPLE



1001	9005-300239	PROTEZIONE	SHIELD	ABDECKUNG	PROTECTION
1002	9005-300240	KIT TELECAMERA+CAVI	TRANSFORMATION KIT	VERWANDLUNGSATZ	KIT TRANSFORMATION
1003	9004-327603	PROTEZIONE	SHIELD	ABDECKUNG	PROTECTION
1004	90089032002	MONITOR	MONITOR	MONITOR	MONITEUR
1005	9004-327733	CAVO DISPLAY	CABLE	KABEL	CABLE
1006	9005-300095	SCHEDA ELETTRONICA	P.C. BOARD	ELEKTR. PLATINE	FICHE ELECTR.
1007	90084100050	TRASFORMATORE	TRANSFORMER	TRANSFORMATOR	TRANSFORMATEUR
1008	950433848	INTERRUTTORE	SWITCH	SCHALTER	INTERRUPTEUR
1009	90032024179	CAVO INTERRUT.	CABLE	KABEL	CABLE



1101	9004-326036	COPERCHIO	LID	DECKEL	COUVERCLE
1102	9005-300431	SCHEDA EL.	P.C. BOARD	ELEKTR. PLATINE	FICHE ELECTR.
1103	9004-328598	GUARNIZIONE	SEAL	DICHTUNG	JOINT
1104	9004-327786	VETRO	GLASS	GLAS	VITRE
1105	9004-327888	CAVO	CABLE	KABEL	CABLE
1106	9004-328671	VETRO	GLASS	GLAS	VITRE

SIMPESFAIP S.p.A.

Sede Legale: Via San Martino 3/A - 42015 Correggio (RE) Italy

Uffici e Stabilimento: Via della Repubblica, 7 - 41011 Campogalliano (MO) Italy - Tel. 059/899911 - Fax 059/527698

Stabilimento: Via M. D'Antona, 5 - 10040 Rivalta (TO) Italy - Tel. 011/9036611 - Fax 011/9032607

www.simpesfaip.it - e-mail: info@simpesfaip.it