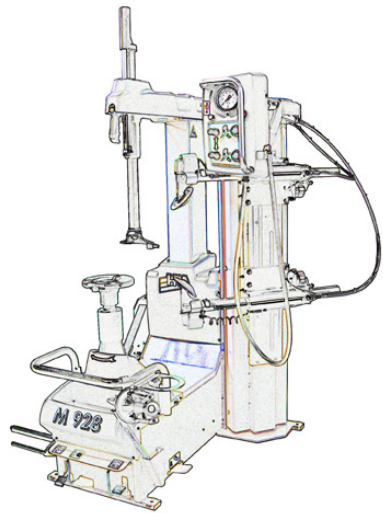
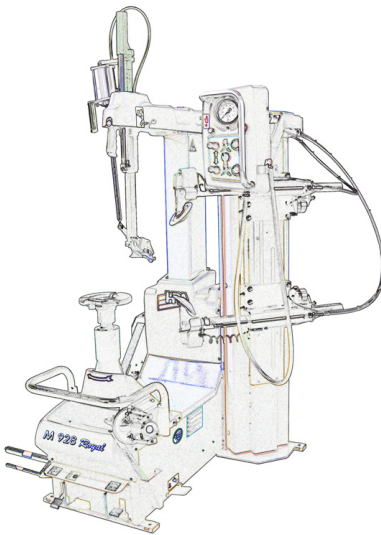


M 928 ROYAL

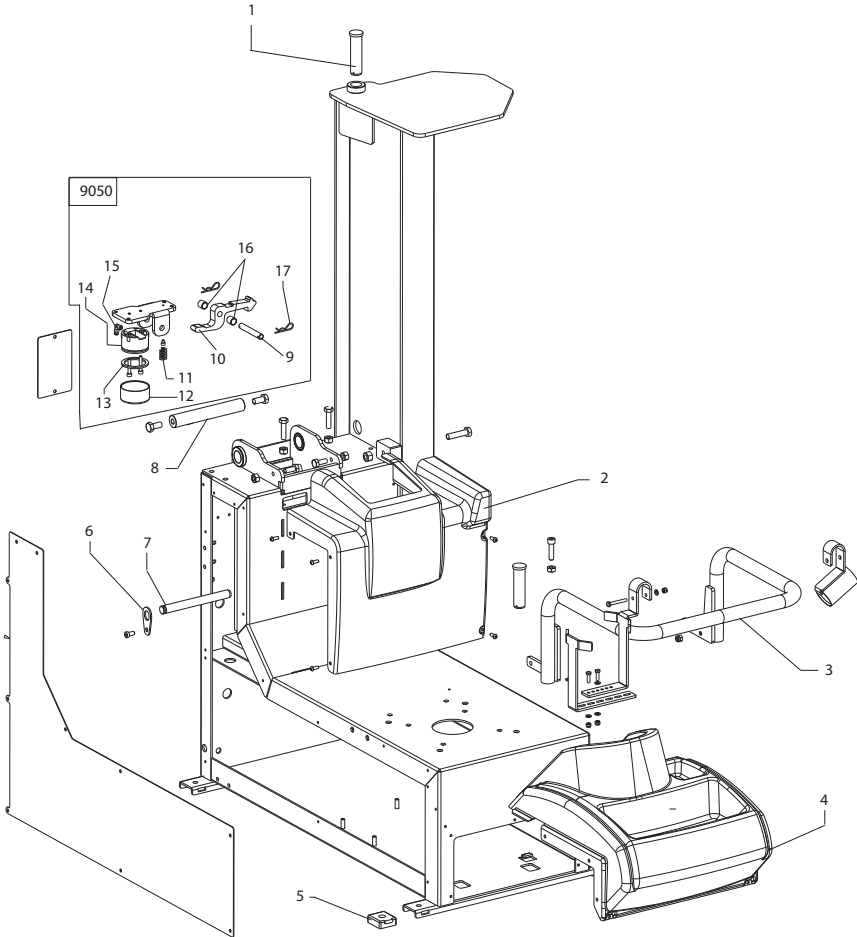
M 928

Pezzi di ricambio
Spare Parts List
Ersatzteilliste
Pieces De Rechange

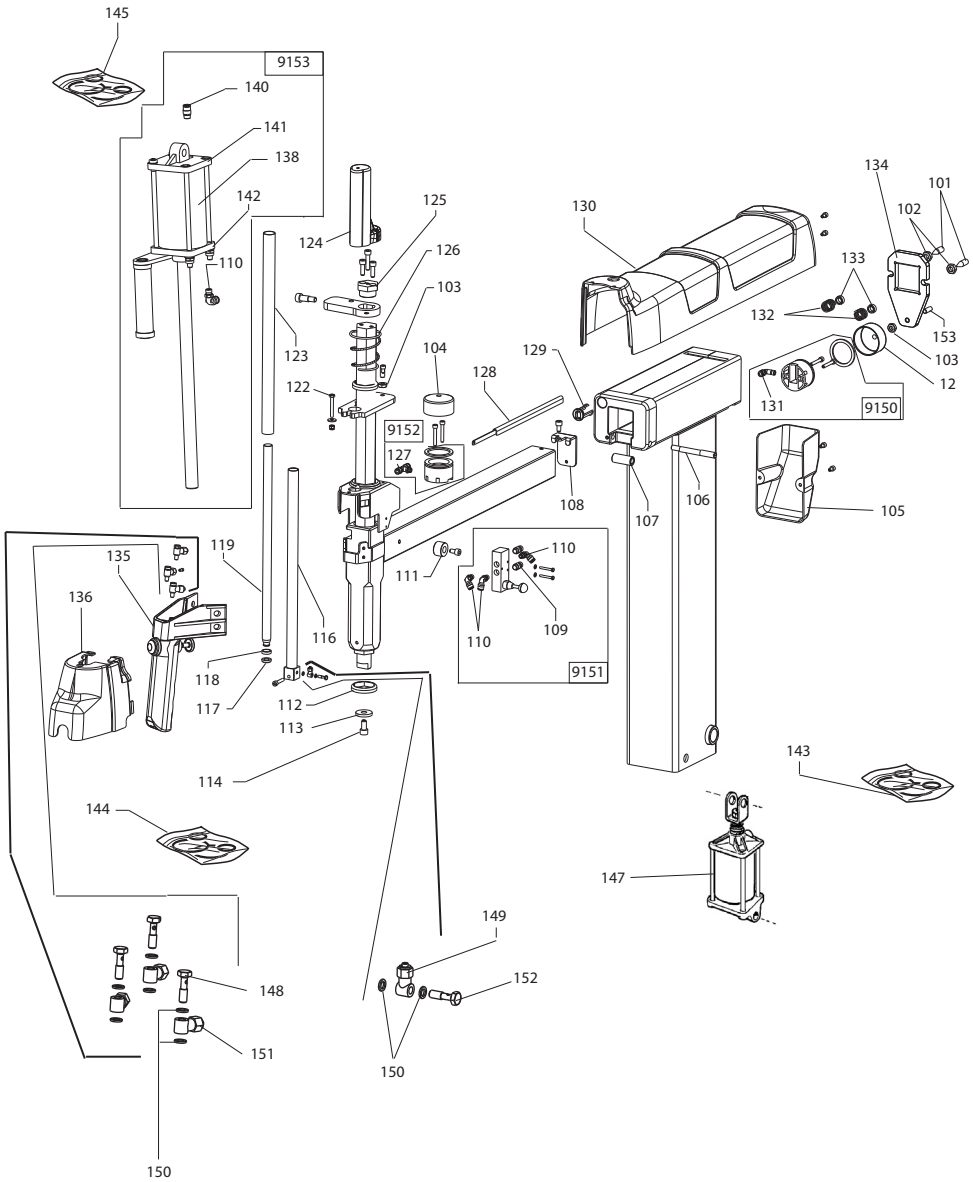


Code
4-106778

Production from
05 / 2007



9050	9005-101963	BLOCCAGGIO	LOCKING	SPERRE	BLOCAGE
0009	9004-105792	PERNO	PIN	ZAPFEN	PIVOT
0010	9004-104869	GANCIO	HOOK	HAKEN	CROCHET
0011	9003-02026	MOLLA	SPRING	FEDER	RESSORT
0012	900326537	CILINDRO	CYLINDER	ZYLINDER	CYLINDRE
0013	900443078	GUARNIZIONE	SEAL	DICHTUNG	JOINT
0014	900443077	PISTONE	PISTON	KOLBEN	PISTON
0015	9003-00220	RACCORDO	CONNECTOR	ANSCHLUSS	RACCORD
0016	9004-105707	DISTANZIALE	SPACER	ABSTANDSSTUECK	ENTRETOISE
0017	900435055	MOLLA	SPRING	FEDER	RESSORT
0001	9004-105788	PERNO	PIN	ZAPFEN	PIVOT
0002	9004-105753	CARTER	CASING	GEHAUSE	CARTER
0003	9004-105755	PROTEZIONE	SHIELD	ABDECKUNG	PROTECTION
0004	9004-105754	CARTER	CASING	GEHAUSE	CARTER
0005	900422019	PIEDE	FOOT	FUSS	PIED
0006	9004-105787	PIASTRINA	PLATE	PLAETTCHEN	PLAQUETTE
0007	9004-105786	PERNO	PIN	ZAPFEN	PIVOT
0008	9004-105784	PERNO	PIN	ZAPFEN	PIVOT





M 928 ROYAL

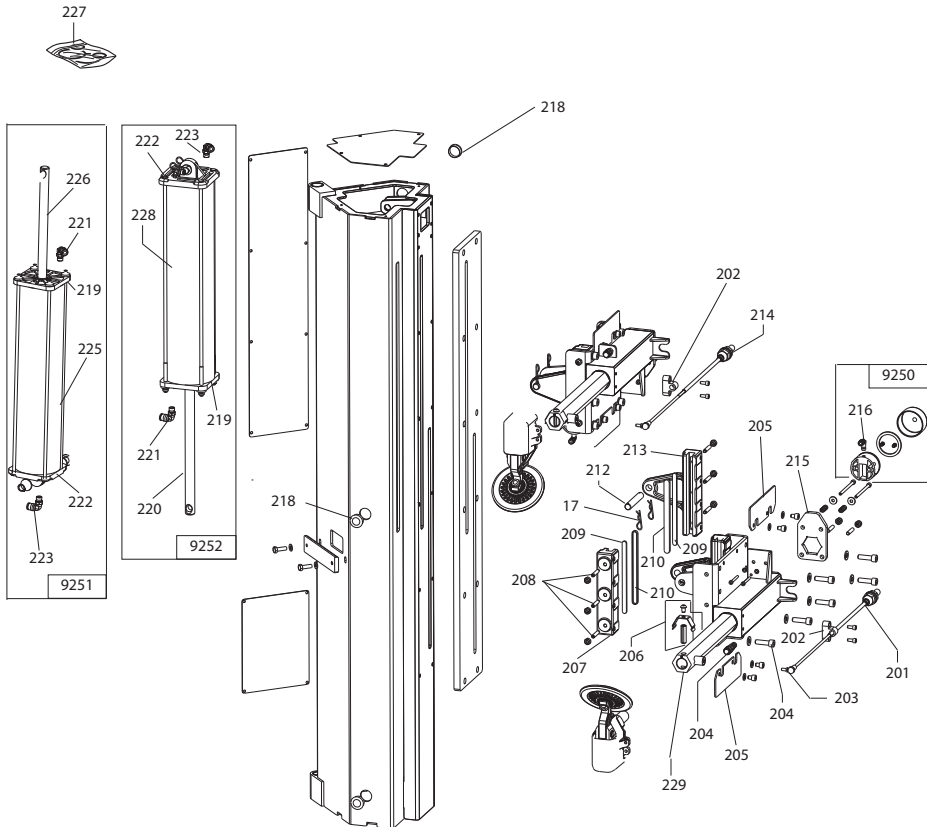
B

05 / 07

Braccio utensile



9150	900239805	PISTONE	PISTON	KOLBEN	PISTON
0131	900414842	RACCORDO	CONNECTOR	ANSCHLUSS	RACCORD
9151	9005-102032	VALVOLA PNEUMATICA	PNEUMATIC VALVE	PNEUMATISCHE VENTILE	PANNE PNEUMATIQUE
0109	900433675	SILENZIATORE	REGULATOR	REGLER	REGULATEUR
0110	900443367	RACCORDO	CONNECTOR	ANSCHLUSS	RACCORD
9152	900239806	PISTONE	PISTON	KOLBEN	PISTON
0127	900414859	RACCORDO	CONNECTOR	ANSCHLUSS	RACCORD
9153	9005-102033	CILINDRO	CYLINDER	ZYLINDER	CYLINDRE
0138	9004-103976	CAMICIA	LINER	BUCHSE	CHEMISE
0140	900441568	RACCORDO	CONNECTOR	ANSCHLUSS	RACCORD
0141	900361975	FLANGIA	FLANGE	FLANSCH	FLASQUE
0142	900361519	FLANGIA	FLANGE	FLANSCH	FLASQUE
0110	900443367	RACCORDO	CONNECTOR	ANSCHLUSS	RACCORD
0012	900326537	CILINDRO	CYLINDER	ZYLINDER	CYLINDRE
0101	900341836	VITE	SCREW	SCHRAUBE	VIS
0102	900600158	DADO	NUT	MUTTER	ECROU
0103	900600157	DADO	NUT	MUTTER	ECROU
0104	900326537	CILINDRO	CYLINDER	ZYLINDER	CYLINDRE
0105	9004-105214	PROTEZIONE	SHIELD	ABDECKUNG	PROTECTION
0106	9004-102006	ECCENTRICO	ECCENTRIC	NOCKEN	ECCENTRIQUE
0107	9004-102007	RULLO	ROLLER	WALZE	ROULEAU
0108	9004-105697	SUPPORTO	SUPPORT	LAGER	SUPPORT
0111	900383372	FERMO	RETAINER	ANSCHLAG	ARRET
0112	9004-105700	ANELLO	RING	RING	ANNEAU
0113	9004-103902	RONDELLA	WASHER	UNTERLEGSCHIEBE	RONDELLE
0114	9002-02586	VITE	SCREW	SCHRAUBE	VIS
0116	9004-105701	SUPPORTO	SUPPORT	LAGER	SUPPORT
0117	9004-105933	GUARNIZIONE	SEAL	DICHTUNG	JOINT
0118	9004-105696	ANELLO	RING	RING	ANNEAU
0119	9004-105692	STELO	STEM	SCHAFT	TIGE
0122	900600367	VITE	SCREW	SCHRAUBE	VIS
0123	9004-105693	TUBO	PIPE		
0124	9004-105720	POMOLO	KNOB	BALLENGRIFF	POMMEAU
0125	9004-105954	TAPPO	PLUG	STOPFEN	BOUCHON
0126	9004-103898	MOLLA	SPRING	FEDER	RESSORT
0128	9004-105698	GUIDA	GUIDE	FUEHRUNG	GLISSIERE
0129	900431061	BOCCOLA	BUSHING	LAGER	DOUILLE
0130	9004-105971	CARTER	CASING	GEHAUSE	CARTER
0132	900439787	MOLLA	SPRING	FEDER	RESSORT
0133	900339803	BOCCOLA	BUSHING	LAGER	DOUILLE
0134	9004-102005	PIASTRA	SLAB	PLATTE	PLAQUE
0135	9005-101271	MANIGLIA	HANDLE	HANDGRIFF	POIGNEE
0136	9004-105970	CARTER	CASING	GEHAUSE	CARTER
0138	9004-103976	CAMICIA CILINDRO	LINER	BUCHSE	CHEMISE
0143	900240122	KIT GUARNIZIONI	SEALS KIT	DICHTUNGSATZ	KIT JOINTS
0144	9005-102150	KIT GUARNIZIONI	SEALS KIT	DICHTUNGSATZ	KIT JOINTS
0145	900262382	KIT GUARNIZIONI	SEALS KIT	DICHTUNGSATZ	KIT JOINTS
0147	9005-101961	CILINDRO ALZAPALO	CYLINDER		
0148	900428719	VITE	SCREW	SCHRAUBE	VIS
0149	9003-01754	RACCORDO	CONNECTOR	ANSCHLUSS	RACCORD
0150	900428750	RONDELLA	WASHER	UNTERLEGSCHIEBE	RONDELLE
0151	900428718	RACCORDO	CONNECTOR	ANSCHLUSS	RACCORD
0152	9003-01755	RACCORDO	CONNECTOR	ANSCHLUSS	RACCORD
0153	900601291	GRANO	SCREW	SCHRAUBE	VIS





M 928 ROYAL

C

05 / 07

Stallonatore



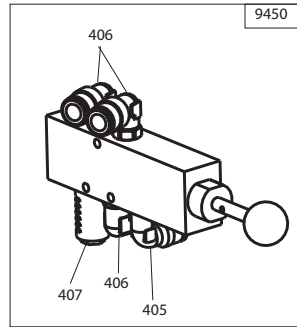
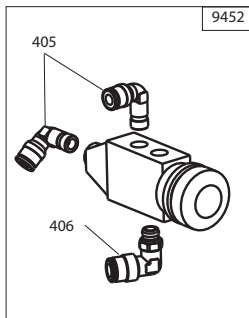
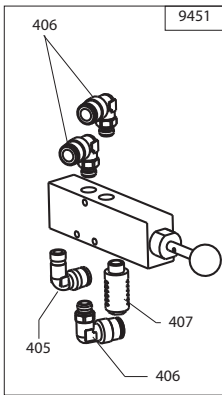
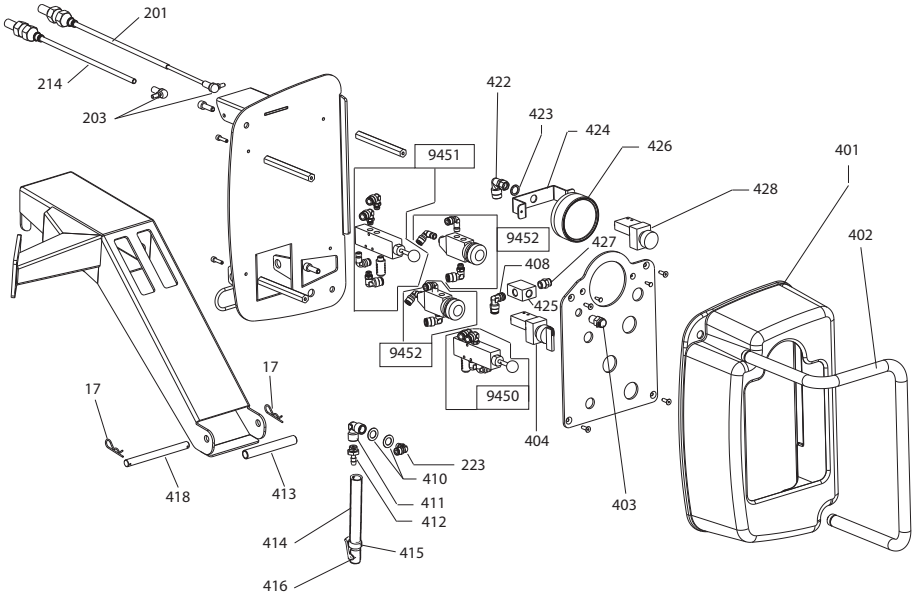
9250	900261436	PISTONE	PISTON	KOLBEN	PISTON
0216	9003-00220	RACCORDO	CONNECTOR	ANSCHLUSS	RACCORD

9251	9005-101935	CILINDRO	CYLINDER	ZYLINDER	CYLINDRE
0219	900342900	FLANGIA	FLANGE	FLANSCH	FLASQUE
0221	9003-00059	RACCORDO	CONNECTOR	ANSCHLUSS	RACCORD
0222	900363627	FLANGIA	FLANGE		
0223	900446939	RACCORDO	CONNECTOR	ANSCHLUSS	RACCORD
0225	9004-105655	CAMICIA	LINER	BUCHSE	CHEMISE
0226	9004-105656	STELO	STEM	SCHAFT	TIGE

9252	9005-101936	CILINDRO	CYLINDER	ZYLINDER	CYLINDRE
0220	9004-105659	STELO	STEM	SCHAFT	TIGE
0219	900342900	FLANGIA	FLANGE	FLANSCH	FLASQUE
0221	9003-00059	RACCORDO	CONNECTOR	ANSCHLUSS	RACCORD
0222	900363627	FLANGIA	FLANGE		
0223	900446939	RACCORDO	CONNECTOR	ANSCHLUSS	RACCORD
0228	9004-105658	CAMICIA	LINER	BUCHSE	CHEMISE

0201	9004-105817	CAVO L.2600	CABLE	KABEL	CABLE
0202	9004-105705	SUPPORTO	SUPPORT	LAGER	SUPPORT
0203	900419010	SNODO	JOINT	GELENK	ARTICULATION
0204	9003-01645	VITE	SCREW	SCHRAUBE	VIS
0205	9004-106179	PROTEZIONE	SHIELD	ABDECKUNG	PROTECTION
0206	9005-101697	PERNO	PIN	ZAPFEN	PIVOT
0207	9004-105607	SCORREVOLE	SLIDER	SCHIEBER	CURSEUR
0208	9002-01835	VITE	SCREW	SCHRAUBE	VIS
0209	9004-105614	LAMINATI	ROLLED SECTIONS	WALZERZEUGNIS	
0210	9004-105615	PATTINO	PAD	GLEITSTCHUH	PATIN
0212	9004-105667	PERNO	PIN	ZAPFEN	PIVOT
0213	9004-105605	SCORREVOLE TRAINANTE	SLIDER	SCHIEBER	CURSEUR
0214	9004-105612	CAVO L.2000	CABLE	KABEL	CABLE
0215	9004-105293	PIASTRA	SLAB	PLATTE	PLAQUE
0218	900448000	TAPPO	PLUG	STOPFEN	BOUCHON
0227	900245067	KIT GUARNIZIONI	SEALS KIT	DICHTUNGSATZ	KIT JOINTS
0228	9004-105658	CAMICIA	LINER	BUCHSE	CHEMISE
0229	9004-105668	BARRA PORTA UTENSILE		BAR DOR TOOL	

9350	9005-102087	DISCO COMPLETO	DISK	SCHEIBE	DISQUE
0301	9005-102062	CILINDRO	CYLINDER	ZYLINDER	CYLINDRE
0302	9004-103723	PERNO	PIN	ZAPFEN	PIVOT
0303	900435005	RONDELLA	WASHER	UNTERLEGSCHIEBE	RONDELLE
0304	9004-106024	DADO	NUT	MUTTER	ECROU
0305	9002-02096	VITE	SCREW	SCHRAUBE	VIS
0306	9004-106180	PERNO	PIN	ZAPFEN	PIVOT
0307	900421833	GUARNIZIONE	SEAL	DICHTUNG	JOINT
0309	9004-106181	SUPPORTO	SUPPORT	LAGER	SUPPORT
0310	9004-106341	CARTER	CASING	GEHAUSE	CARTER
0311	9002-02398	VITE	SCREW	SCHRAUBE	VIS
0312	9004-106199	BIELLA	TRACE	PLEUELSTANGE	BIELLE
0313	9004-106235	MOLLA	SPRING	FEDER	RESSORT
0314	900339856	RONDELLA	WASHER	UNTERLEGSCHIEBE	RONDELLE
0315	9004-106238	MOLLA	SPRING	FEDER	RESSORT
0316	9004-106224	PERNO	PIN	ZAPFEN	PIVOT
0317	9004-106025	LAMIERA	METAL SHEET	BLECH	TOLE
0318	9004-106234	PERNO	PIN	ZAPFEN	PIVOT
9351	9005-100688	RULLO	ROLLER	WALZE	ROULEAU



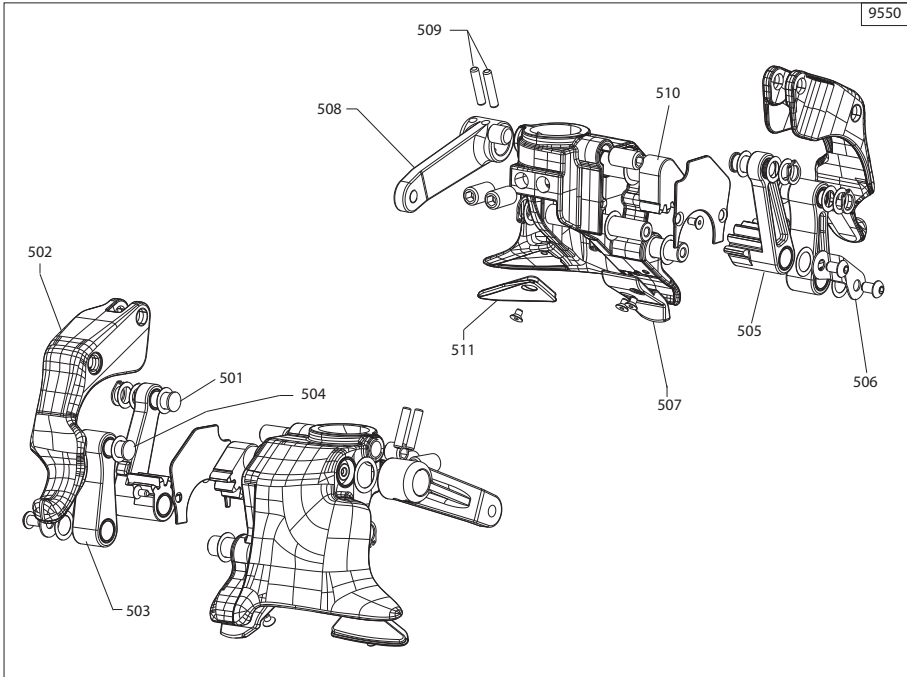


9450	9005-102020	VALVOLA	VALVE	VENTIL	VANNE
0405	900440868	RACCORDO	CONNECTOR	ANSCHLUSS	RACCORD
0406	900440870	RACCORDO	CONNECTOR	ANSCHLUSS	RACCORD
0407	900422682	SILENZIATORE	SILENCER	SCHALLDAEMPFER	SILENCIEUX

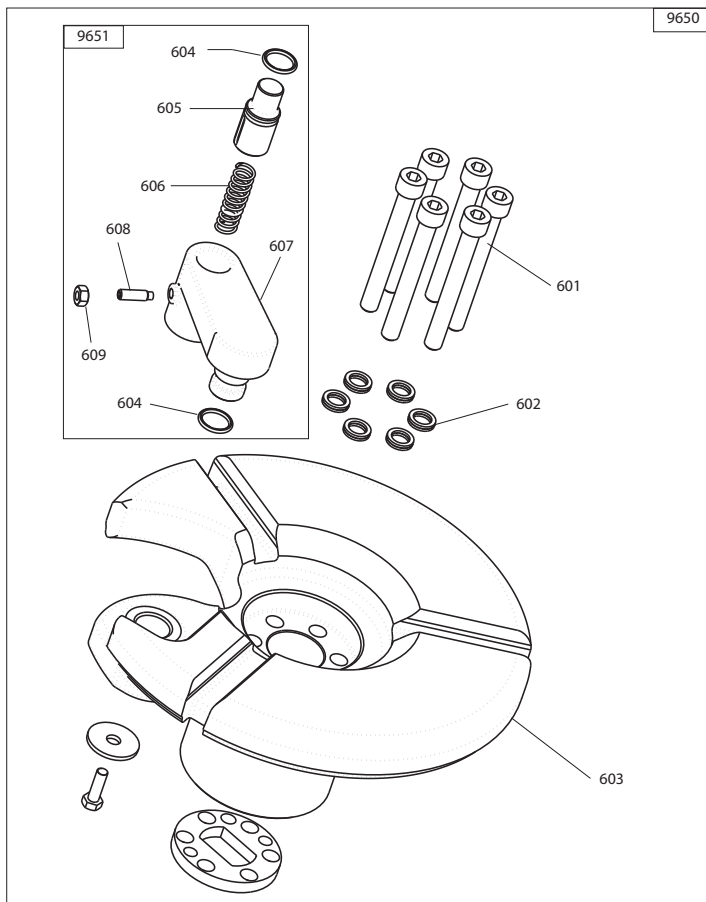
9451	9005-102021	VALVOLA PNEUMATICA	PNEUMATIC VALVE	PNEUMATISCHE VENTILE	PANNE PNEUMATIQUE
0405	900440868	RACCORDO	CONNECTOR	ANSCHLUSS	RACCORD
0406	900440870	RACCORDO	CONNECTOR	ANSCHLUSS	RACCORD
0407	900422682	SILENZIATORE	SILENCER	SCHALLDAEMPFER	SILENCIEUX

9452	9005-102022	VALVOLA	VALVE	VENTIL	VANNE
0405	900440868	RACCORDO	CONNECTOR	ANSCHLUSS	RACCORD
0406	900440870	RACCORDO	CONNECTOR	ANSCHLUSS	RACCORD

0017	900435055	MOLLA	SPRING	FEDER	RESSORT
0201	9004-105817	CAVO L.2600	CABLE	KABEL	CABLE
0214	9004-105612	CAVO L.2000	CABLE	KABEL	CABLE
0401	9004-105679	CARTER	CASING	GEHAUSE	CARTER
0402	9004-105688	MANIGLIA	HANDLE	HANDGRIFF	POIGNEE
0403	900235463	VALVOLA	VALVE	VENTIL	VANNE
0404	9005-101230	BLOCCAGGIO	LOCKING	SPERRE	BLOCAGE
0408	900450406	RACCORDO	CONNECTOR	ANSCHLUSS	RACCORD
0410	950301109	RONDELLA	WASHER	UNTERLEGSCHIEBE	RONDELLE
0411	9003-00099	RACCORDO	CONNECTION	ANSCHL.	RACCORD
0412	900429536	RACCORDO	CONNECTOR	ANSCHLUSS	RACCORD
0413	9004-105686	BOCCOLA	BUSHING	LAGER	DOUILLE
0414	900339425	TUBO	PIPE	ROHR	TUYAU
0415	900421191	FASCETTA	STRAP	SCHLAUCHSCHELLE	COLLIER
0416	9003-00425	RACCORDO DOYFE	CONNECTOR	ANSCHLUSS	RACCORD
0418	9004-105687	PERNO	PIN	ZAPFEN	PIVOT
0422	900431999	RACCORDO	CONNECTOR	ANSCHLUSS	RACCORD
0423	900417815	RONDELLA	WASHER	UNTERLEGSCHIEBE	RONDELLE
0424	900353537	SUPPORTO	SUPPORT	LAGER	SUPPORT
0425	900352586	BLOCCHETTO	BLOCK	BLOCK	BLOC
0426	900437831	MANOMETRO	PRESSURE GAUGE	DRUCKMESSER	MANOMETRE
0427	900440887	RACCORDO	CONNECTOR	ANSCHLUSS	RACCORD
0428	9005-102023	VALVOLA PNEUMATICA	PNEUMATIC VALVE	PNEUMATISCHE VENTILE	PANNE PNEUMATIQUE

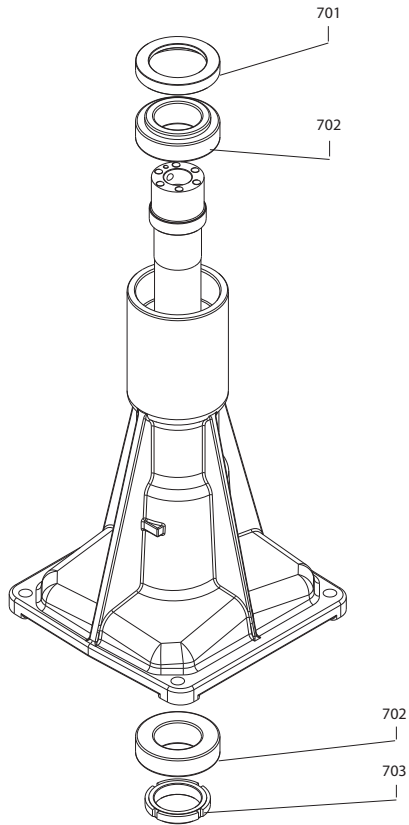


9550	9005-102266	TORRETTA	HEAD	DREHKOPF	TOURELLE
0501	9004-103933	PERNO	PIN	ZAPFEN	PIVOT
0502	9004-103266	GANCIO	HOOK	HAKEN	CROCHET
0503	9005-101265	BIELLA	TRACE	PLEUELSTANGE	BIELLE
0504	9004-103932	PERNO	PIN	ZAPFEN	PIVOT
0505	9005-101266	BIELLA	TRACE	PLEUELSTANGE	BIELLE
0506	9004-104981	LAMIERA	METAL SHEET	BLECH	TOLE
0507	9004-103502	INSERTO	INSERT	EINLAGE	INSERT
0508	9004-103256	LEVA	LEVER	HEBEL	LEVIER
0509	9002-71581	SPINA	PLUG	STECKER	FICHE
0510	9004-103264	INGRANAGGIO	GEAR	ZAHNRADGETRIEBE	ENGRENAGE
0511	9004-106611	INSERTO	INSERT		



9650	9005-101199	AUTOCENTRANTE	TURNTABLE	SPANNFUTTER	MANDRIN AUTOCENTRANT
0601	9004-104811	VITE	SCREW	SCHRAUBE	VIS
0602	9004-102752	RONDELLA	WASHER	UNTERLEGSCHIEBE	RONDELLE
0603	9004-103152	CENTRAGGIO	SPIGOT	ZENTRIERUNG	CENTRAGE

9651	9005-101081	LEVA	LEVER	HEBEL	LEVIER
0604	9004-24630	ANELLO	RING	RING	ANNEAU
0605	9004-102326	PERNO	PIN	ZAPFEN	PIVOT
0606	9004-102331	MOLLA	SPRING	FEDER	RESSORT
0607	9004-103143	LEVA	LEVER	HEBEL	LEVIER
0608	9002-02560	VITE	SCREW	SCHRAUBE	VIS
0609	900600676	DADO	NUT	MUTTER	ECROU



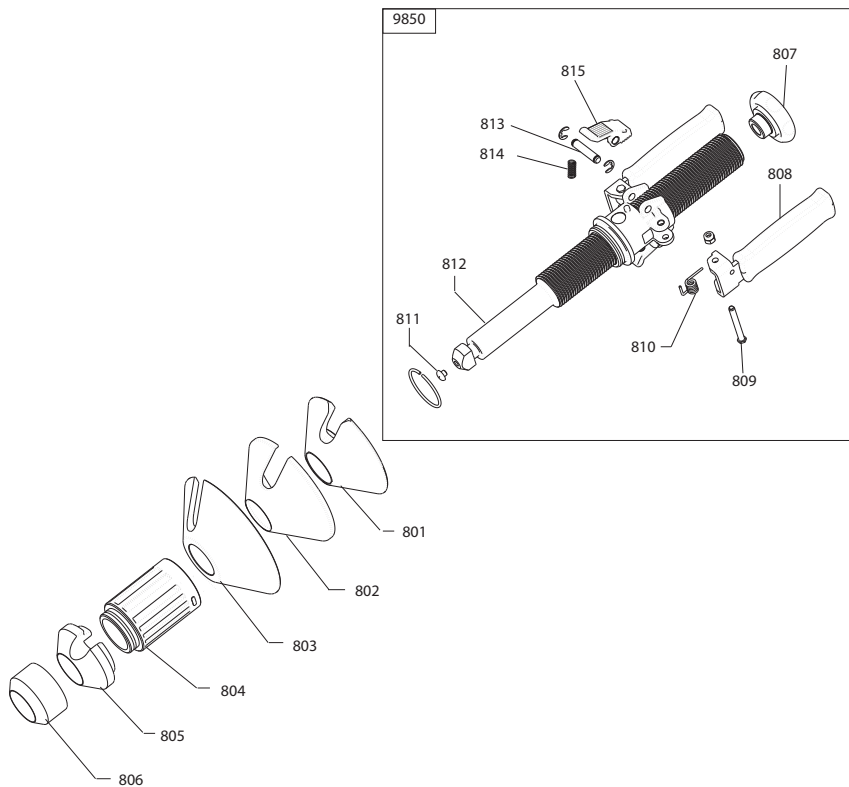
0701 9004-105729
 0702 9002-03484
 0703 900456019

BOCCOLA
 CUSCINETTO
 GHIERA

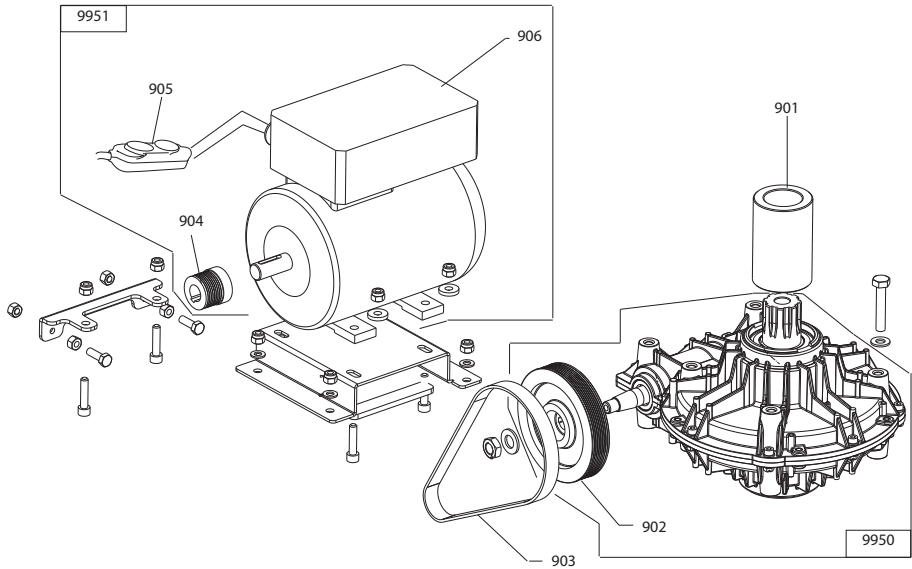
BUSHING
 BEARING
 NUT

LAGER
 LAGER
 NUTMUTTER

DOUILLE
 ROULEMENT
 BAGUE



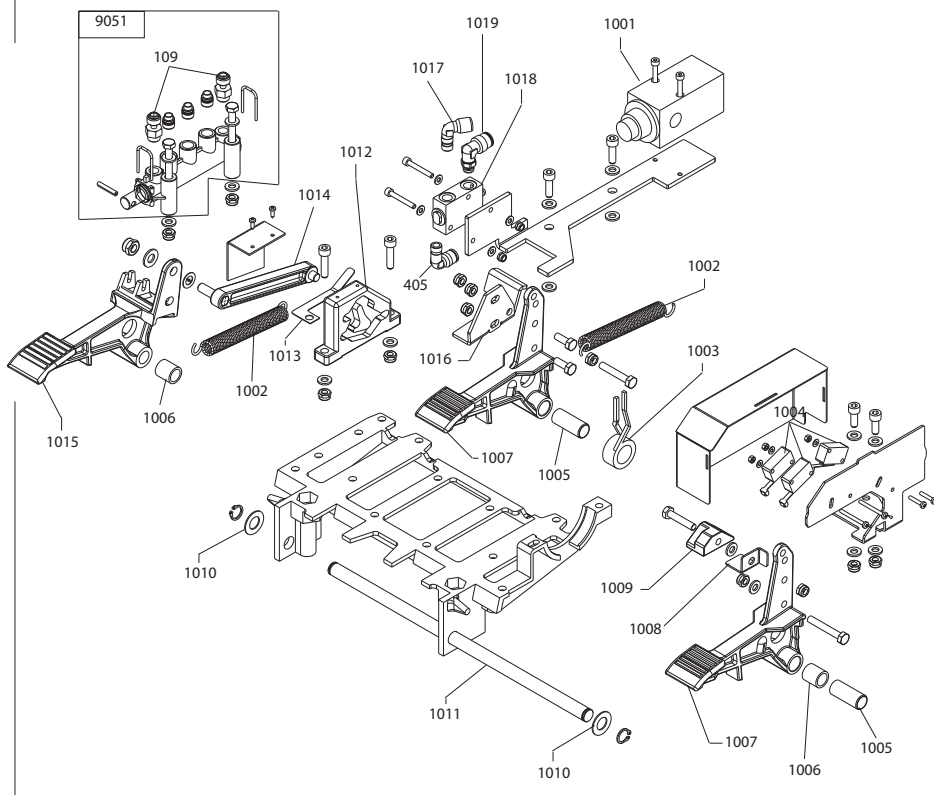
9850	9005-101197	MANIGLIA	HANDLE	HANDGRIFF	POIGNEE
0807	9004-103669	MANOPOLA	KNOB	BALLENGRIFF	BOUTONE
0808	9005-101931	LEVA	LEVER	HEBEL	LEVIER
0809	9004-104809	PERNO	PIN	ZAPFEN	PIVOT
0810	9004-103673	MOLLA	SPRING	FEDER	RESSORT
0811	900461560	PROTEZIONE	SHIELD	ABDECKUNG	PROTECTION
0812	9004-103668	BARRA	BAR	STANGE	BARRE
0813	9004-104810	PERNO	PIN	ZAPFEN	PIVOT
0814	9004-103675	MOLLA	SPRING	FEDER	RESSORT
0815	9004-104822	CRICCHETTO	CRICK	SPERRKLINKE	CLIQUET
0801	9004-103230	CONO D.120	CONE	KEGEL	CONE
0802	9004-103232	PROTEZIONE	SHIELD	ABDECKUNG	PROTECTION
0803	9004-103229	CONO D.145	CONE	KEGEL	CONE
0804	9005-101204	PROLUNGA	EXTENSION CORD	VERLAENGERUNG	RALLONGE
0805	9004-103234	CONO D.75	CONE	KEGEL	CONE
0806	9004-103235	CONO D.58	CONE	KEGEL	CONE



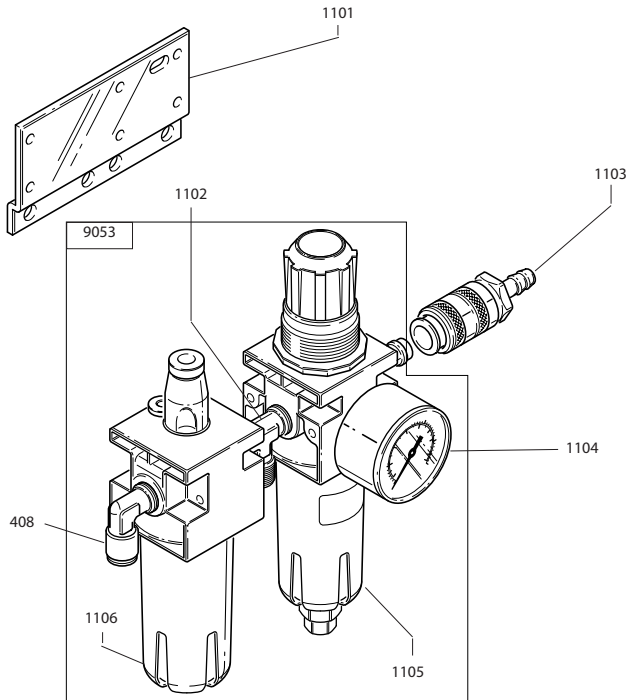
9950	9005-101694	RIDUTTORE	GEAR BOX	GETRIEBE	REDUCTEUR
0902	900339870	PULEGGIA	PULLEY	RIEMENSCHIBE	POULIE

9951	9005-100712	MOTOINVERTER	MOTOINVERTER		
0904	9004-102397	PULEGGIA	PULLEY	RIEMENSCHIBE	POULIE
0905	9004-101687	CAVO	CABLE	KABEL	CABLE
0906	9004-104102	SCHEDA ELETTRONICA	P.C. BOARD	ELEKTR. PLATINE	FICHE ELECTR.

0901	9004-105730	MOZZO	HUB	NABE	MOYEU
0903	900440571	CINGHIA	BELT	RIEMEN	COURROIE



9052	9005-101956	PEDALIERA	CONTROL PEDAL	PEDALERIE	GR.PEDALES
0405	900440868	RACCORDO	CONNECTOR	ANSCHLUSS	RACCORD
1001	900452553	VALVOLA	VALVE	VENTIL	VANNE
1002	900410628	MOLLA	SPRING	FEDER	RESSORT
1003	900428682	MOLLA	SPRING	FEDER	RESSORT
1004	900440874	MICROINTERRUPTORE	MICROSWITCH	MIKROSCHALTER	MICROINTERRUPTEUR
1005	900452011	BOCCOLA	BUSHING	LAGER	DOUILLE
1006	900325050	DISTANZIALE	SPACER	ABSTANDSSTUECK	ENTRETOISE
1007	900252010	PEDALE	PEDAL	PEDAL	PEDALE
1008	9004-102403	STAFFA	BRACKET	KLAUE	ETRIER
1009	900461535	BLOCCETTO	BLOCK		
1010	900428636	RONDELLA	WASHER	UNTERLEGSCHIEBE	RONDELLE
1011	900325005	PERNO	PIN		
1012	900425020	CAMMA	CAM	NOCKEN	CAME
1013	9004-103762	RADDRIZZATORE	RECTIFIER	GLEICHRICHTER	REDRESSEUR
1014	900425014	BIELLA	TRACE	PLEUELSTANGE	BIELLE
1015	900325030	PEDALE	PEDAL		PEDALE
1016	9004-106460	STAFFA	BRACKET	KLAUE	ENTRIER
1017	900441609	RACCORDO	CONNECTOR	ANSCHLUSS	RACCORD
1018	900452564	VALVOLA	VALVE	VENTIL	VANNE
1019	900440870	RACCORDO	CONNECTOR	ANSCHLUSS	RACCORD
9051	900257137	VALVOLA	VALVE	VENTIL	VANNE
0109	900433675	SILENZIATORE	REGULATOR	REGLER	REGULATEUR





M 928 ROYAL

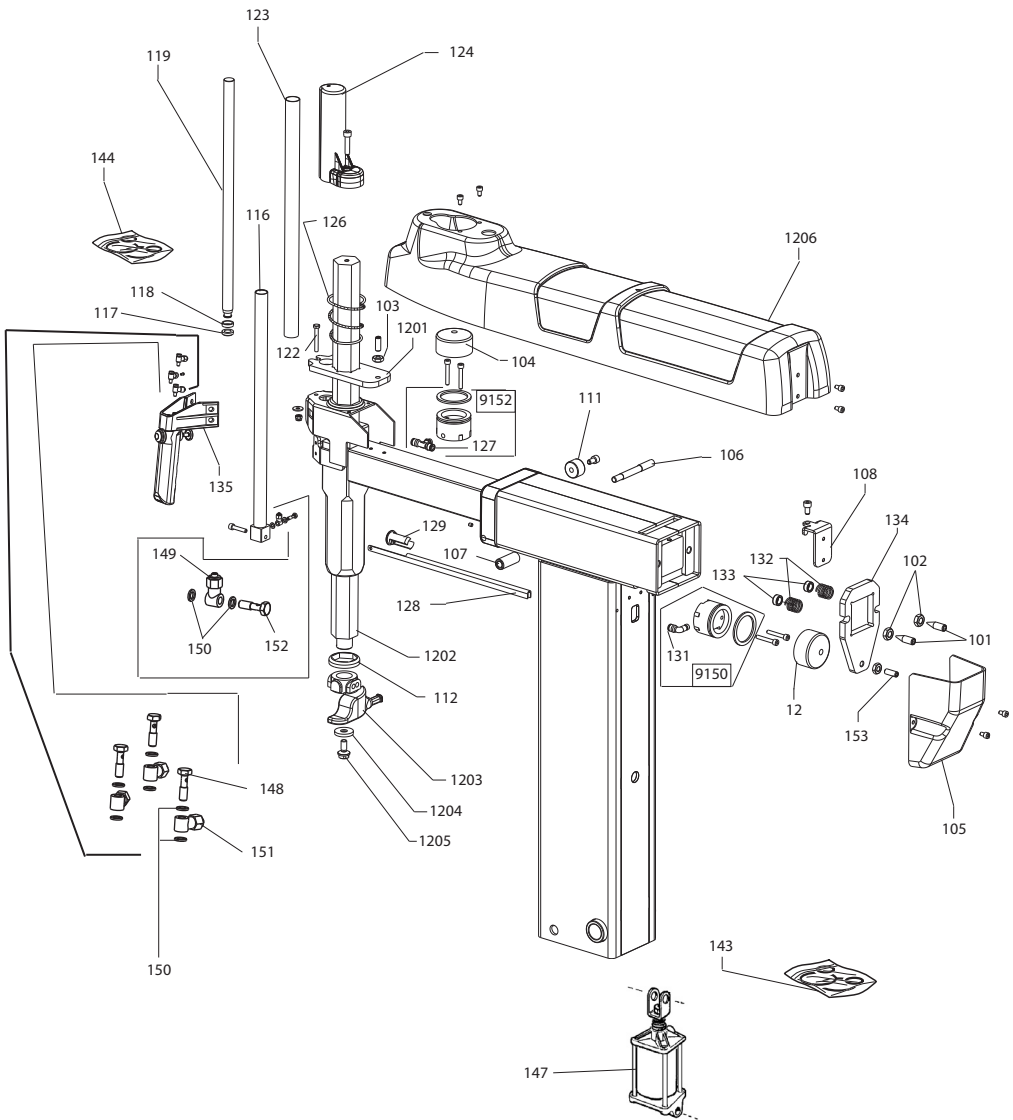
M

05 / 07

Gruppo filtro



9053	900456522	FILTRO	FILTER	FILTER	FILTRE
1105	900457512	BICCHIERE	BOWL	GLAS	BOL
1106	900457511	BICCHIERE	BOWL	GLAS	BOL
1101	9004-102273	STAFFA	BRACKET	KLAUE	ETRIER
1102	900433873	RACCORDO	CONNECTOR	ANSCHLUSS	RACCORD
1103	900441899	GIUNTO	COUPLING	KUPPLUNG	ACCOUPEMENT
1104	900434818	MANOMETRO	PRESSURE GAUGE	DRUCKMESSER	MANOMETRE
0408	900450406	RACCORDO	CONNECTOR	ANSCHLUSS	RACCORD





M 928

N

05 / 07

Braccio utensile



9150	900239805	PISTONE	PISTON	KOLBEN	PISTON
0131	900414842	RACCORDO	CONNECTOR	ANSCHLUSS	RACCORD

9152	900239806	PISTONE	PISTON	KOLBEN	PISTON
0127	900414859	RACCORDO	CONNECTOR	ANSCHLUSS	RACCORD

0012	900326537	CILINDRO	CYLINDER	ZYLINDER	CYLINDRE
0101	900341836	VITE	SCREW	SCHRAUBE	VIS
0102	900600158	DADO	NUT	MUTTER	ECROU
0103	900600157	DADO	NUT	MUTTER	ECROU
0104	900326537	CILINDRO	CYLINDER	ZYLINDER	CYLINDRE
0105	9004-105214	PROTEZIONE	SHIELD	ABDECKUNG	PROTECTION
0106	9004-102006	ECCENTRICO	ECCENTRIC	NOCKEN	EXCENTRIQUE
0107	9004-102007	RULLO	ROLLER	WALZE	ROULEAU
0108	9004-105697	SUPPORTO	SUPPORT	LAGER	SUPPORT
0111	900383372	FERMO	RETAINER	ANSCHLAG	ARRET
0112	9004-105700	ANELLO	RING	RING	ANNEAU
0116	9004-105701	SUPPORTO	SUPPORT	LAGER	SUPPORT
0117	9004-105933	GUARNIZIONE	SEAL	DICHTUNG	JOINT
0118	9004-105696	ANELLO	RING	RING	ANNEAU
0119	9004-105692	STELO	STEM	SCHAFT	TIGE
0122	900600367	VITE	SCREW	SCHRAUBE	VIS
0123	9004-105693	TUBO	PIPE		
0124	9004-105720	POMOLO	KNOB	BALLENGRIFF	POMMEAU
0126	9004-103898	MOLLA	SPRING	FEDER	RESSORT
0128	9004-105698	GUIDA	GUIDE	FUEHRUNG	GLISSIERE
0129	900431061	BOCCOLA	BUSHING	LAGER	DOUILLE
0132	900439787	MOLLA	SPRING	FEDER	RESSORT
0133	900339803	BOCCOLA	BUSHING	LAGER	DOUILLE
0134	9004-102005	PIASTRA	SLAB	PLATTE	PLAQUE
0135	9005-101271	MANIGLIA	HANDLE	HANDGRIFF	POIGNEE
0143	900240122	KIT GUARNIZIONI	SEALS KIT	DICHTUNGSATZ	KIT JOINTS
0144	9005-102150	KIT GUARNIZIONI	SEALS KIT	DICHTUNGSATZ	KIT JOINTS
0147	9005-101961	CILINDRO ALZAPALO	CYLINDER		
0148	900428719	VITE	SCREW	SCHRAUBE	VIS
0149	9003-01754	RACCORDO	CONNECTOR	ANSCHLUSS	RACCORD
0150	900428750	RONDELLA	WASHER	UNTERLEGSCHIEBE	RONDELLE
0151	900428718	RACCORDO	CONNECTOR	ANSCHLUSS	RACCORD
0152	9003-01755	RACCORDO	CONNECTOR	ANSCHLUSS	RACCORD
0153	900601291	GRANO	SCREW	SCHRAUBE	VIS
1201	9004-105699	STRANGOLO	GLAS		
1202	9004-105694	BRACCIO	ARM	ARM	BRAS
1203	900258761	TORRETTA	MOUNT/DEMOUNT HEAD	DREHKOPF	TOURELLE
1204	900350194	RONDELLA	WASHER		
1205	900350197	VITE	SCREW		
1206	9004-105207	CARTER	CASING	GEHAUSE	CARTER

A large rectangular frame containing 20 horizontal dotted lines, spaced evenly down the page, intended for writing.

SIMPESFAIP S.p.A.

Sede Legale: Via San Martino 3/A - 42015 Correggio (RE) Italy

Uffici e Stabilimento: Via della Repubblica, 7 - 41011 Campogalliano (MO) Italy - Tel. 059/899911 - Fax 059/527698

Stabilimento: Via M. D'Antona, 5 - 10040 Rivalta (TO) Italy - Tel. 011/9036611 - Fax 011/9032607

www.simpesfaip.it - e-mail: info@simpesfaip.it